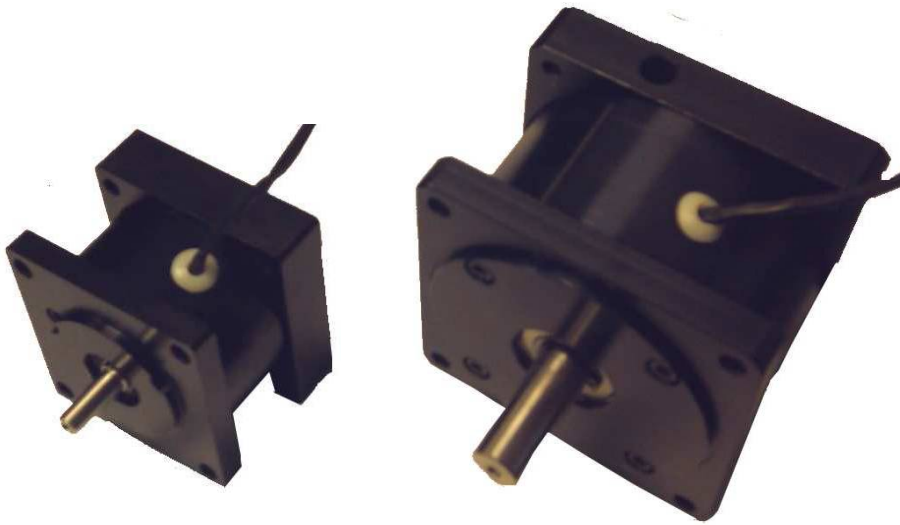
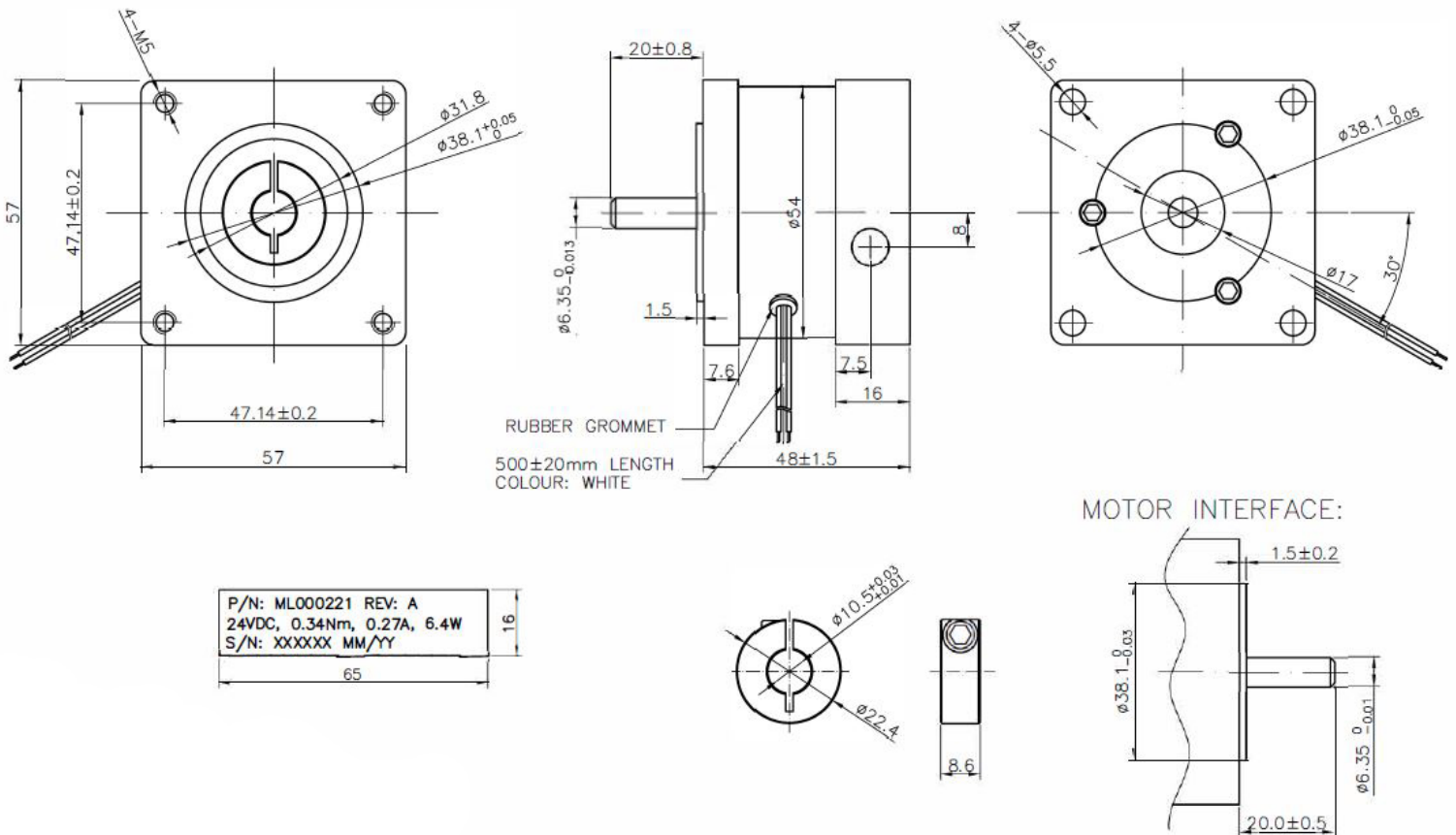


## ML000221 / MPC034-24-008 Fail Safe (Power off) 24 VDC Brakes

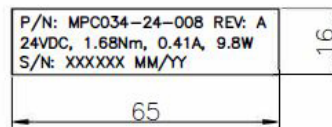
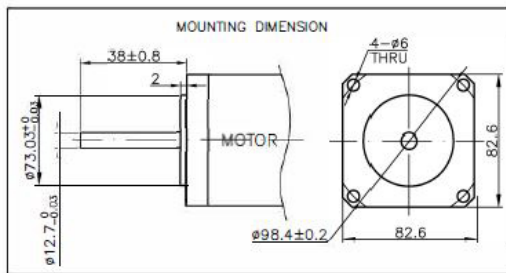
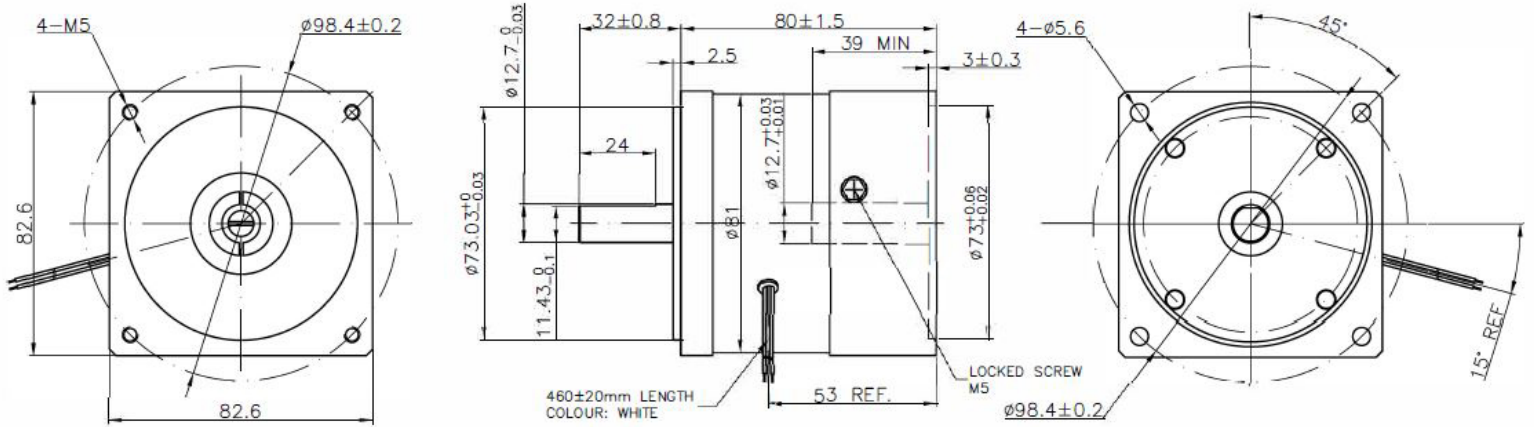


- Insulation Class B
- Zinc plating housing
- Long Life
- Specials on request

### Mechanical



ML000221



**MPC034-24-008**

## Specifications

Model	Voltage (VDC)	Resistance (OHMS)	Current (A)	Static Torque (Nm)	Power (W)	Weight (g)
ML0002211	24	88	0.27	0.34	6.4	400
MPC034-24-008	24	58	0.41	1.68	6	500