

Regulated DC Power Supplies for stepper & servo driver

Regulated DC Power Supplies for Stepper & Servo driver



P2410 / P2410-L



P369



P488 / P488-L



P608 / P608-L

Features

- Internal EMI Filter
- 100% full load burn-in test
- Output short circuit, over-current and over-voltage protection

Electrical Specifications

Model		P2410 / P2410-L	P369	P488 / P488-L	P608 / P608-L
OUTPUT	DC VOLTAGE	24V	36V	48V	60V
	RATED CURRENT	10A	9.7A	8.3A	8.5A
	POWER	240W	350W	400W	500W
INPUT	VOLTAGE RANGE	176-265VAC or 85-132VAC	176-265VAC or 85-132VAC	176-265VAC or 85-132VAC	176-265VAC or 85-132VAC
	FREQUENCY RANGE	47-63Hz			
PROTECTION	OVER VOLTAGE	N/A	53-59V	71-79V	100-105V
	OVER LOAD	110% - 130%	110% - 130%	110% - 130%	110% - 130%
		Protection: For P2410(-L), P488(-L) and P608(-L), output will be shut down immediately and power supply functions again after powering off input. For P369, output will drop to 0.5VDC and power supply functions again after fault condition is removed.			
WEIGHT		800.4g (28.23oz)	883.5g (31.16oz)	1136g (40.07oz)	1127g (39.75oz)
DIMENSION		199x110x50 mm (7.8 x 4.3x2.0 in.)	215x115x50 mm (8.5' x 4.5' x 2.0 in')	261x103x65 mm (10.3 x 4.1x 2.6 in.)	261x103x65 mm (10.3 x 4.1x 2.6 in.)

Regulated DC Power Supplies for stepper & servo driver

Operating Environment and Parameters

Cooling	Natural cooling or forced cooling	
Operating Environment	Environment	Avoid dust, oil fog and corrosive gases
	Working Temperature	0°C — 45°C @ 100%
	Humidity	20 — 90%RH
Storage Temperature	-20°C — 85°C	

Mechanical specifications (unit=mm, 1 inch = 25.4 mm)

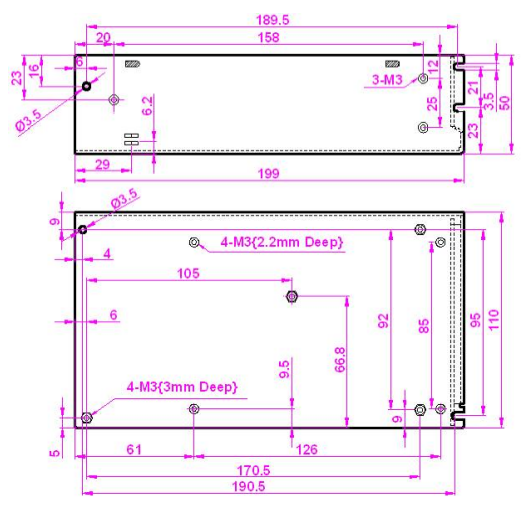


Figure 1: P2410 Mechanical Specification

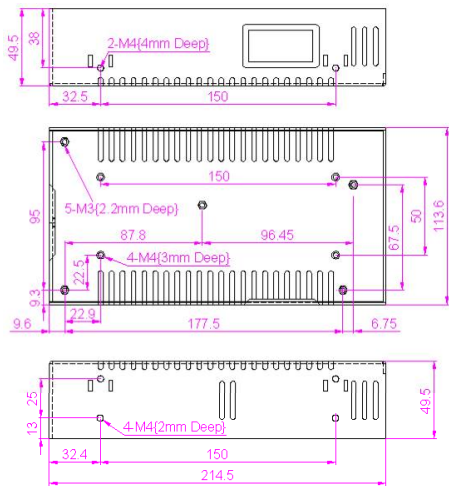


Figure 2: P369 Mechanical Specification

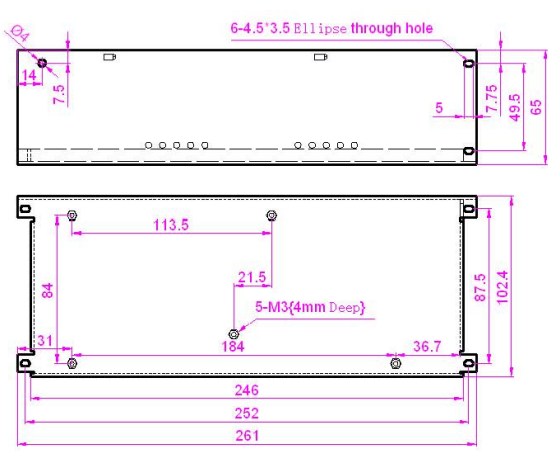
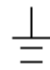


Figure 3: P488 and P608 Mechanical Specification

TERMINALS AND DESCRIPTION	
L	AC LINE IN
N	AC LINE IN
	EARTH GROUND
COM	DC POWER RETURN
+V	DC POWER OUT