

Features

- 12.1" Industrial Compact Size Panel PC
- Intel 6th Gen. Core i3(standard) / i5(option) CPU built-in
- 1 x 260Pin SO-DIMM DDR4 up to 16GB 2133MHz
- Flat Front Panel Touch Screen
- Fanless Design
- DC 9~36V Wide-Ranging Power Input
- Optional Projected Capacitive Touch Screen Support 7H Anti-Scratch Surface
- High Brightness 1,000 nits for Option

Specifications

| System | |
|-------------------|-----------------------------------------------------------------------------------------------------------------------------------------------------------------------------------------------------------------------------------------|
| CPU | Onboard Intel 6th Gen. Core i3 CPU Processors/ i5(option) |
| System Chipset | SoC |
| Memory | 1 x 260Pin SO-DIMM DDR4 up to 16GB 2133MHz |
| I/O Port | |
| USB | 2 x USB 3.0 type A |
| Serial / Parallel | 1 x DB-9 RS-232/422/485, COM1 (Default RS-232) 1 x RS-232 DB-9, COM2 |
| Audio | 1 x Audio Line Out |
| LAN | 2 x GbE LAN RJ-45 |
| Power | 1 x 3-pin DC Power input terminal 1 x 2-Pin Power Switch |
| Option | 2 x RS-232 DB-9 + 1 x Mini-PCIe slot via TB-528C2ME1 2 x CAN bus via TB-528CAN2 2 x USB 2.0 type A + 1 x Mini-PCIe slot + 1xRS-232 DB-9 via TB-528C1U2P1 2 x USB 2.0 type A Via TB-528U2 UPS battery 21W/10.8V/1.95Ah(3S1P) |

| Storage Space | |
|---------------|-------------------------------------------------------|
| HDD | 1 x 2.5" SATA HDD bay for SATA3 HDD (Easy Accessible) |

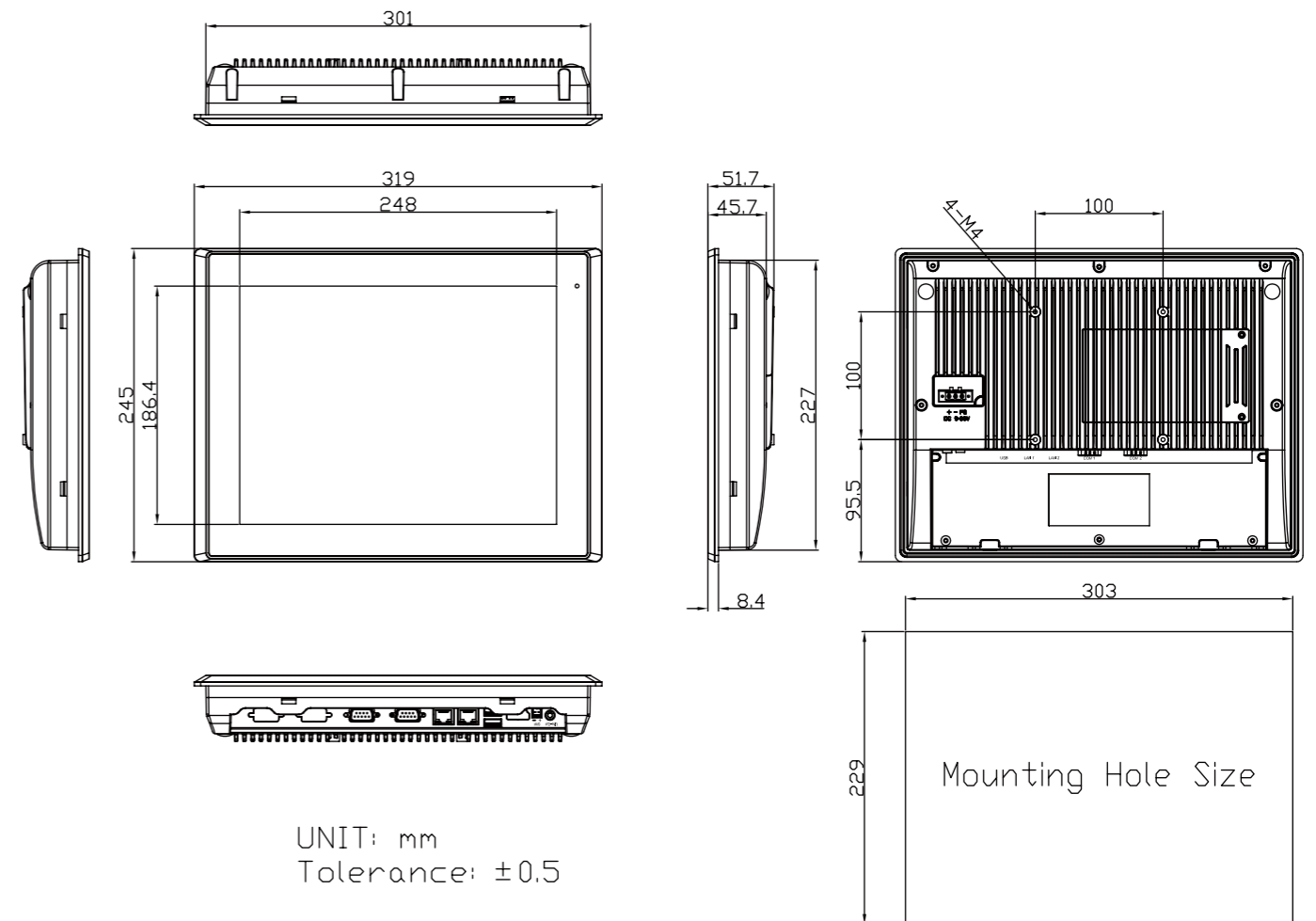
| Expansion | |
|----------------|---------------------------------------|
| Expansion Slot | 1 x Internal Mini-PCIe slot full size |

| Display | Standard | High Brightness Optional |
|--------------------------------|-----------------------------------------------|-----------------------------------------------|
| Display Type | 12.1" TFT LCD | 12.1" TFT LCD |
| Max. Resolution | 800 x 600 1024 x 768 (optional) | 800 x 600 1024 x 768 (optional) |
| Max. Color | 262K / 16.2M (optional) | 262K / 16.2M (optional) |
| Luminance (cd/m ²) | 450 / 500 (optional) | 1000 |
| View Angle | 160(H) / 150(V) 160(H) / 140(V) (optional) | 178(H) / 178(V) 160(H) / 140(V) (optional) |
| Contrast | 800:1 / 700:1 (optional) | 700:1 |
| Backlight Lifetime | 50,000 hrs 30,000 hrs (optional) | 50,000 hrs |
| Option | Optical bonding | Optical bonding |

| Touch Screen | Resistive Touch | Projected Capacitive Touch |
|-----------------------|-----------------|----------------------------|
| Interface | USB | USB |
| Light Transmission(%) | Over 80% | Over 90% |

| Power | |
|-------------------|---------------------|
| Power Input | DC 9~36V |
| Power Consumption | ARCHMI-912A: 45.54W |

Dimensions



| Mechanical | |
|--------------------|---------------------------|
| Front Bezel | Flat Bezel design |
| Front Bezel Metal | Aluminum / Panel Mounting |
| Rear Panel Metal | Aluminum / VESA 100 x 100 |
| Dimensions (WxHxD) | 319mm x 245mm x 51.7mm |
| IP Rating | Front Panel IP66 |
| Net Weight | 2.8 kg |

| Environmental | |
|-----------------------|---------------------------------|
| Operating Temperature | 0~50°C |
| Storage Temperature | -20~60°C |
| Storage Humidity | 10 to 90%@ 40°C, non-condensing |
| Certificate | CE / FCC, Class A |

| Operating System Support | |
|-------------------------------------------------------------|--|
| Windows 7 64 bit / Windows 8 64 bit / Windows 10 IoT 64 bit | |

| Ordering Information | |
|----------------------|--------------------------------------------------------------------------------------------------------------------------------------------------------|
| ARCHMI-912A-01 | 12.1" SVGA Fanless HMI barebone with Intel Core i3 CPU, 4GB DDR4 RAM, Resistive touch screen, 9~36V DC input with adapter, Aluminum chassis |
| ARCHMI-912AP-01 | 12.1" SVGA Fanless HMI barebone with Intel Core i3 CPU, 4GB DDR4 RAM, Projected Capacitive touch screen, 9~36V DC input with adapter, Aluminum chassis |