

IX PowerStations

Next Generation Hardware Combined with InteractX Provides our Most Reliable and Powerful Supervisory HMI Ever



The InteractX™ (IX) PowerStation combines rugged, industrial design coupled with sleek, modern aesthetics. Packed with the time-tested, powerful InteractX software, this HMI provides SCADA-like capabilities in a thin, economical package.

Small Size, Big Horsepower

The quad core processor unlocks the power of InteractX. Communications to multiple PLC's, machine HMIs or other devices are handled with ease as the rich graphics, animations, and critical data update faster than ever before. The impressive responsiveness of screen navigation, along with the power of InteractX makes this small package a big winner.

InteractX

The IX is preloaded with InteractX software

Reduced Development Time

Pair the IX supervisory HMI to the XT Powerstation, Parker's machine-level HMI, to reduce your development time up to 80%!

The IX, running InteractX, can connect directly to an XT, using Interact Xpress™. The XT can share screens and data with the IX, allowing you to reuse your machine level application elements at the Supervisory level saving development time and money.

Advanced Tools Made Easy

InteractX provides an intuitive, drag-and-drop graphical design interface reducing the time to develop your interface. Prebuilt ActiveX tools allow you to use advanced functions with little effort. InteractX adds the industry's easiest trending ever – simply point and click and you are logging!

Reduced Cabinet Size

Offered in a variety of sizes from a compact 7" to a immersive 22", the IX depth of each HMI offers minimal intrusion into the cabinet allowing the IX to fit where other HMIs cannot.

The widescreen aspect ratio provides 40% more screen space over a traditional 4:3 ratio, providing room for additional functionality or a decluttered screen that provides clear information and reduces opportunity for operator error.

Increased Reliability

Every aspect of the IX design protects against common failure modes to provide long lasting and reliable operation.

The IX's fan-less and ventless design allows users to install-and-forget by avoiding the most common component failure in Industrial PCs: the fan. Coupled with a mechanically reinforced SSD, and intensive shock and vibration specifications, the IX is meant to withstand any industrial condition.

Secure Remote Access

Easily win over IT with Dual LAN ports that enable users to separate machine networks to those exposed to either the office network or the Internet.

This is especially critical in applications implementing motion or process control software where safety is a concern.



IX Features

- 7, 10, 15 and 22" touchscreen displays
- No display option
- 1.83GHz Quad Core, 4GB DDR3L
- 2 USB, 2 Serial, 2 LAN ports
- 64 GB SSD
- Slim 1.3" cabinet depth
- Fan-less and vent-less
- Unlimited PLC/device connections
- Protocol conversion between connections
- Unlimited Tags, Screens, Alarms
- Vivid colors and rich graphics
- Secure Remote View/Control/Edit
- IP65 aluminum bezel
- Analog resistive & projected capacitive touchscreen options



InteractX Software

Unlimited tags - no hidden costs

Vast driver support allows aggregation of data from today's most popular HMIs, PLCs, and other industrial devices

Support for Microsoft Access, SQL, Oracle and ODBC and easy to use database management tools

Sophisticated recipe management, historical trending and alarm tools included to make programming easy

Support for 21CFR11 allows any FDA audited industry provide authentication and log operator changes

Easy multi-language support



InteractX Supervisory HMI

InteractX leads the industry with breakthrough HMI graphics and built-in connectivity. Now with version 4.0, InteractX leads the way in the supervisory HMI category by dramatically reducing application development time and integration cost for your manufacturing operations.

InteractX 4.0 provides powerful trending and analysis tools that aggregate data from multiple machines or work-cells, and easily pulls Interact Xpress machine level HMI screens and data directly into its interface—without having to recreate applications or input tags!

- Hardware/software integration optimizes performance, storage, and connectivity
- Rich, graphical runtime interface that is scalable to various screen sizes

- Runs sophisticated graphics, animations, and video to enhance the operator experience
- Advanced security tools support single and multi-user applications, as well as integrated development from operator interface
- Full featured historical trending software
- Supervisory-level HMI aggregates data from multiple sources, including 3rd-party PLCs and HMI panels
- Time-saving “distributed HMI” integration with Interact Xpress
- Sophisticated recipe management tools included
- Preconfigured and custom Panel tool library for quick screen development
- ActiveX controls for easy integration of 3rd party tools
- Includes Visual Basic for applications (VBA) for advanced customization
- Vast 3rd party OPC client/server support
- One-click multi-language support
- Standards-compliant browser



IX PowerStation Specifications

Features	IXA-000	IXA-007	IXA-010	IXA-015	IXA-022		
Size		7"	10.1"	15.6"	21.5"		
Display	Resolution	Headless IX; has no display, but has an HDMI and VGA video out port	WVGA (800x480)	WXGA (1280x800)	FWXGA (1366x768)	HD (1920x1080)	
	Viewing Angle		140(H) / 110(V)	160(H) / 160(V)	160(H) / 160(V)	178(H) / 178(V)	
	Brightness		350 cd/m2	350 cd/m2	300 cd/m2	250 cd/m2	
	Bulb Life (hrs)		40,000	40,000	50,000	30,000	
	Weight (lbs)		2.0	2.58	4.24	10.34	16.94
	Touch Interface		—	Analog Resistive	Analog Resistive	Analog Resistive	Analog Resistive or Projected Capacitive
Power Input	12/24 VDC @ 7W	12/24 VDC @ 9W	12/24 VDC @ 11W	12/24 VDC @ 18W	12/24 VDC @ 20W		
HMI Software	InteractX embedded runtime						
Processor & RAM	Intel Bay Trail N2930 (1.83 GHz Quad Core) with 4GB DDR3L						
SD Storage	64 GB SSD						
Operating System	Windows Embedded Standard 7P						
Ports	USB	(3) USB 2.0; (1) USB 3.0	(1) USB 2.0; (1) USB 3.0				
	Serial	(1) RS-232/422/485; (1) RS-232					
	Ethernet	(2) 1000 Base-T, RJ45					
	Audio Out	(1) Audio Out					
Environment	Operating Temp	-10 – 60 °C	0 - 50 °C				
	Storage Temp	-40 - 85 °C	- 20 - 60 °C				
	Rel. Humidity	10-90% @ 40°C, non-condensing					
	Vibration	5-500 Hz: 1 Grms random					
	Shock	15 G peak @ 11 msec					
	IP Rating	IP65 Front Bezel					

IX Ordering Information

① ② ③ ④ ⑤ ⑥ ⑦ ⑧

Order Example:

IX A - 010 - 3 R 3 - 5 3

Select an option from each numbered field to create a complete model order code, not all combinations are valid.

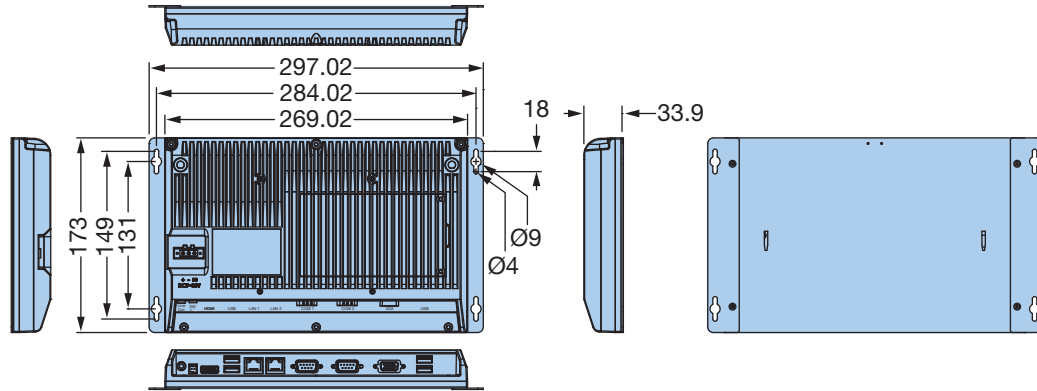
① Series Name IX	InteractX Powerstation	⑤ Touch Options N R P	No display Analog resistive touch Projective Capacitive
② Bezel Type A	Aluminum	⑥ Storage 3	64GB solid state drive
③ Size 000 007 010 015 022	Headless Display 7" Touchscreen 10" Touchscreen 15" Touchscreen 22" Touchscreen	⑦ Operating System 5	WES7P
④ Processor 3	Intel N2930 Bay Trail	⑧ Agency Approvals 3 5	CE, UL/cUL, IEC/EN61010 Haz-Loc (Class 1 Div2)*

* Haz-Loc certification coming soon

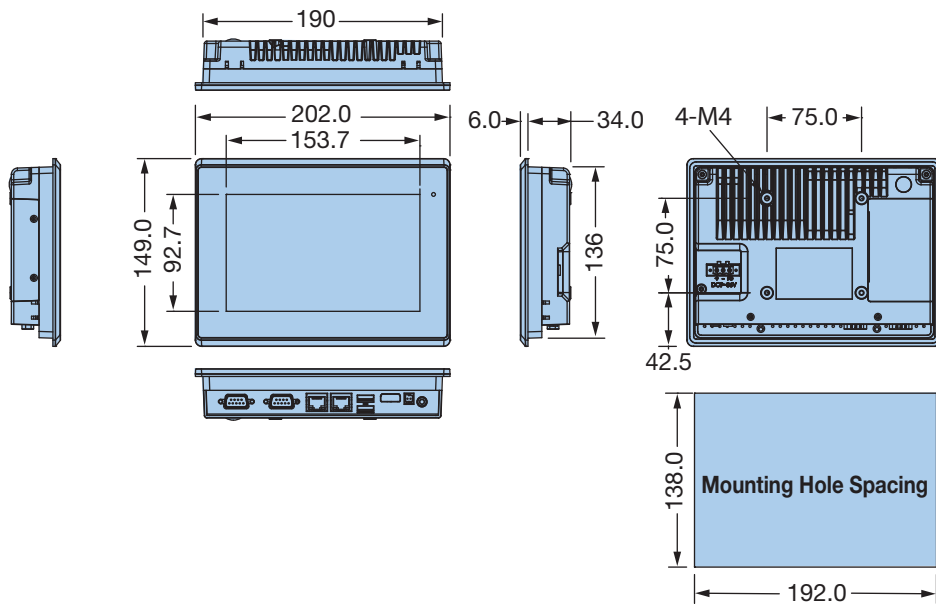
All published product specifications are subject to change without notice.

Dimensions [mm, mounting hole tolerance ±0.5]

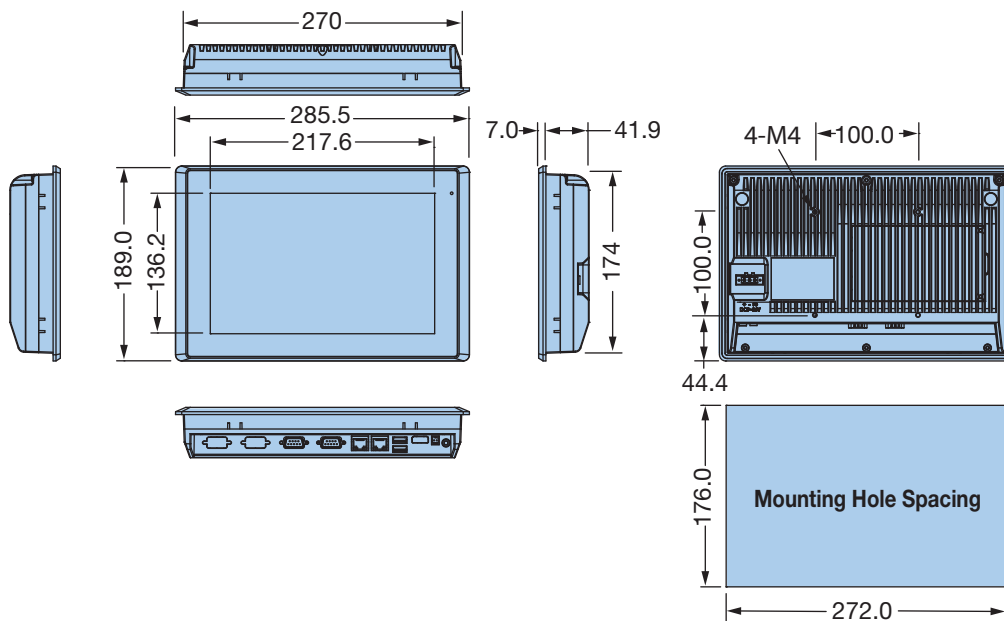
IXA-000



IXA-007

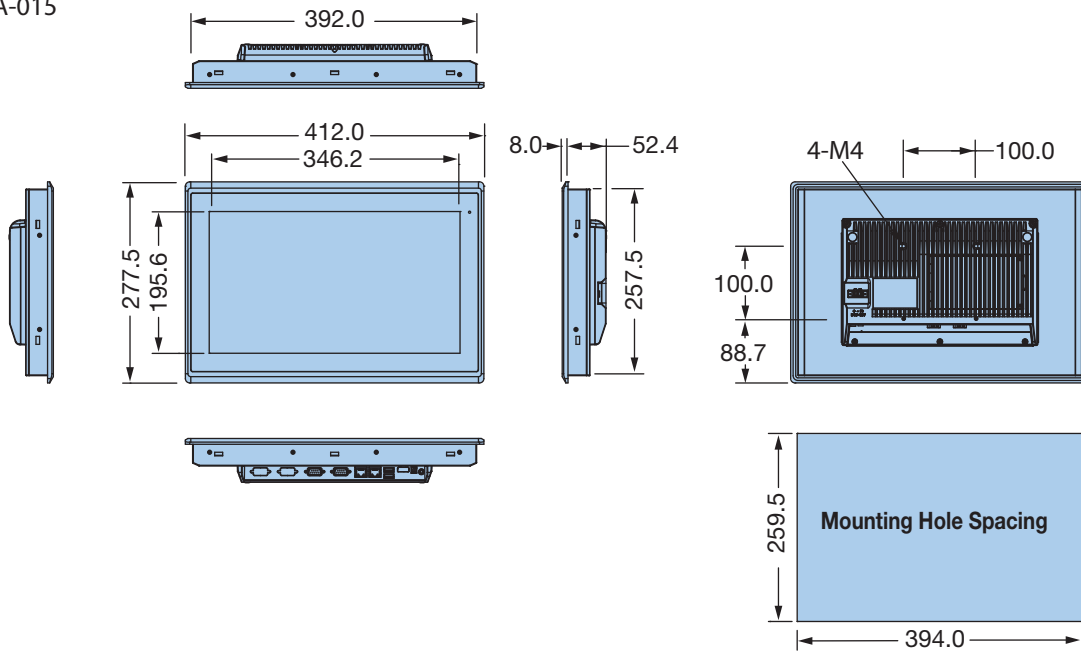


IXA-010

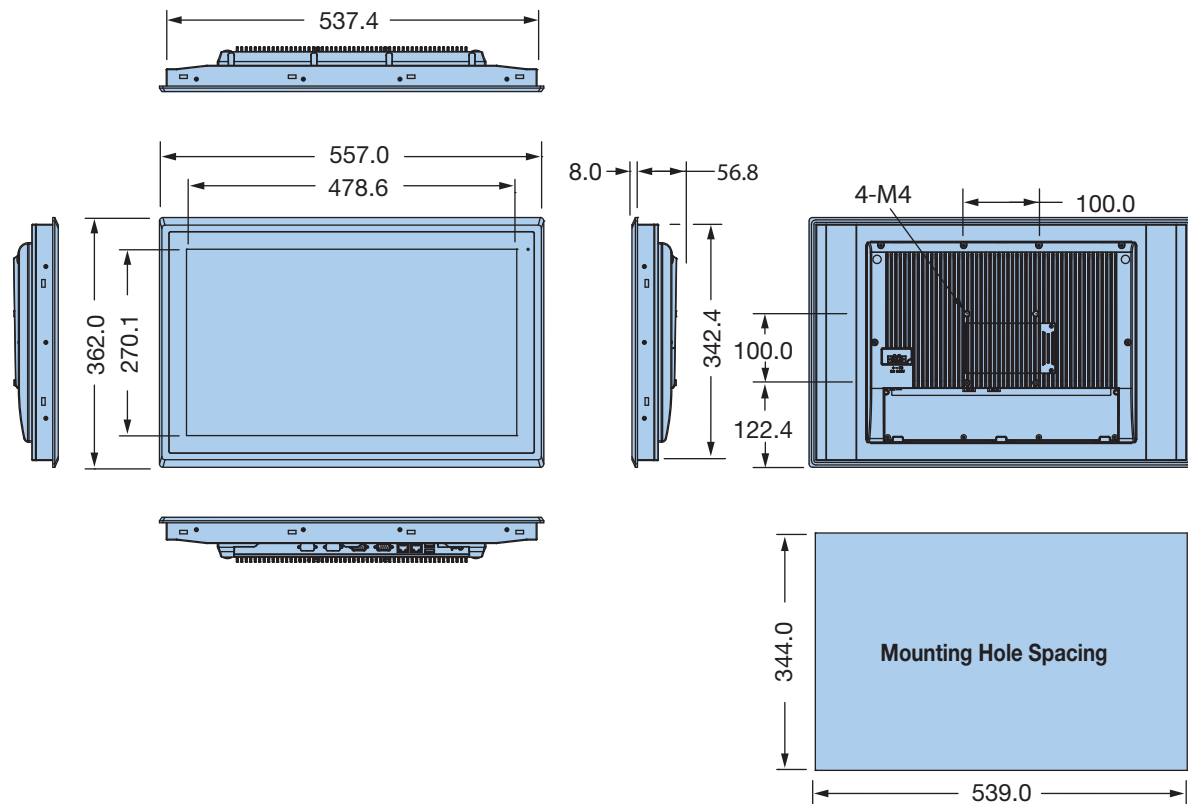


Dimensions [mm, mounting hole tolerance ±0.5]

IXA-015



IXA-022



EM Sales Offices

Australia

Parker Hannifin (Australia) Pty Ltd.
9 Carrington Road
Castle Hill NSW 2154
Australia
Tel: +61 (0) 2 9634-7777
Fax: +61 (0) 2 9634 3749

Brazil

Parker Hannifin Ind. Com Ltda.
Av. Lucas Nogueira Garcez 2181
Esperança
12325-900 Jacareí, SP
Tel: 12 3954 5100
Fax: 12 3954 5262
Email: automation.brazil@parker.com

Canada

Parker Hannifin (Canada) Inc.
160 Chisholm Dr
Milton, Ontario L9T 3G9
Tel: 905-693-3000
Fax: 905-876-1958
Email: miltoncustservice@parker.com

China

Parker Hannifin Motion & Control
(Shanghai) Co., Ltd
280 Yunqiao Rd. Jin Qiao Export
Processing Zone
Shanghai 201206, China
Tel: (86-21) 50312525
Fax: (86-21) 64459717

France

Parker Hannifin Manufacturing
France SAS
4 Boulevard Eiffel
CS 40090
21604 Longvic
France
Tel +33 (0) 3 80 42 41 40
Fax +33 (0) 3 80 42 41 30

Germany

Electromechanical Europe
Parker Hannifin GmbH & Co KG
Robert-Bosch-Strasse 22
D-77656 Offenburg
Germany
Tel: +49 (0) 781 509 0
Fax: +49 (0) 781 509 98176
Email: em-motion@parker.com

India

Parker Hannifin India Pvt. Ltd
Automation Group-SSD Drives Div.
133 & 151 Developed Plots Estate
Perungudi, Chennai 600 096
Tel: 044-4391-0799
Fax: 044-4391-0700

Italy

Parker Hannifin SpA
Via Gounod 1
20092 Cinsello Balsamo
Milano, Italy
Tel: +39 02 361081
Fax: +39 02 36108400
Email: em-motion@parker.com

Korea

Parker Hannifin Korea
9th Floor KAMCO Yangjae Tower
949-3 Dogok 1-dong Gangnam-gu
Seoul 135-860, Korea
Tel: 82-2-559-0454
Fax: 82-2-556-8187

Mexico

Parker Hannifin de Mexico
Eje uno Norte No.100
Parque Industrial Toluca 2000
Toluca, CP 50100 México
Tel: 52-722-275-4200
Fax: 52-722-279-0316

Singapore

Parker Hannifin Singapore Pte Ltd
11, Fourth Chin Bee Road
Singapore 619702
Tel: (65) 6887 6300
Fax: (65) 6265 5125/6261 4929

Taiwan

Parker Hannifin Taiwan Co., Ltd
No. 40, Wuchiuan 3rd Road
Wuku Industrial Park
Taipei County, Taiwan 248
ROC
Tel: 886 2 2298 8987
Fax: 886 2 2298 8982

Thailand

Parker Hannifin (Thailand) Co., Ltd.
1265 Rama 9 Road
Suanluang, Bangkok 10250
Thailand
Tel: (66) 2 186 7000
Fax: (66) 2 374 1645

UK

Parker Hannifin Ltd.
Tachbrook Park Drive
Tachbrook Park
Warwick CV34 6TU
Tel: +44 (0) 1926 317970
Fax: +44 (0) 1926 317980

USA

Parker Hannifin Electromechanical
& Drives Division Main Office
9225 Forsyth Park Drive
Charlotte NC 28273 USA
Tel: (704) 588-3246
800-358-9070
Fax: (704) 588-3249
Email: emn_support@parker.com

Parker Hannifin Electromechanical
Automation Division
1140 Sandy Hill Road
Irwin, PA 15642 USA
Tel: (724) 861-8200
800-245-6903
Fax: (724) 861-3330
Email: emn_support@parker.com

Parker Hannifin Electromechanical
Motor and Gearhead Business Unit
2101 North Broadway
New Ulm, Minnesota 56073 USA
Tel: (507) 354-1616
800-358-9070
Fax: (507) 233-2390
Email: emn_support@parker.com

Parker Hannifin Electronics
Business Unit
5500 Business Park Drive
Rohnert Park, CA 94928 USA
Tel: (707) 584-7558
800-358-9070
Fax: (707) 584-8015
Email: emn_support@parker.com

Parker Hannifin T-Slot Aluminum
Framing and Guarding (IPS)
135 Quadral Drive
Wadsworth, OH 44281 USA
Tel: (330) 334-3335
800-358-9070
Fax: (330) 334-2350
Email: emn_support@parker.com

