

HoroBot B500 Meca500 protection system



Complete protection solution

Thanks to its oval base system, rotary end flange and waterproof sleeve cover, HoroBot B500 will allow you to fully protect your Meca500 6-axis robot.

Flexible and waterproof sleeve

Specially developed for the Meca500, made of coated polyamide fabric (Telupro®) extremely resistant, lightweight and flexible that does not influence the accuracy of the robot.

Allows working with an internal overpressure guaranteeing optimum protection.



Oval base system

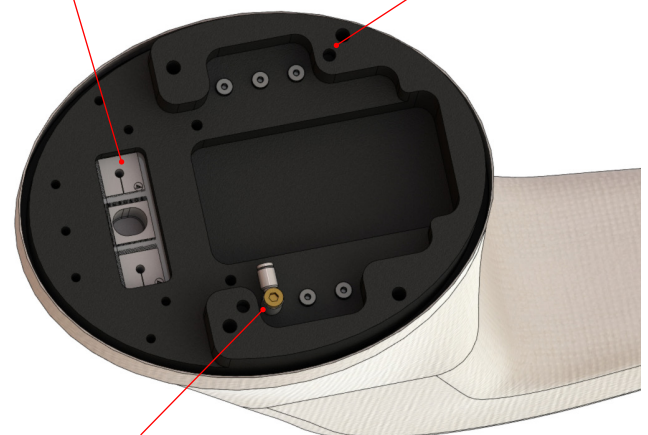
Simple and fast fixing of the sleeve.

Equipped with fixing & positioning holes, it allows to fix repeatedly the entire robot with its protection system.

Safe passage of the robot's power and communication cable, as well as compressed air passages.

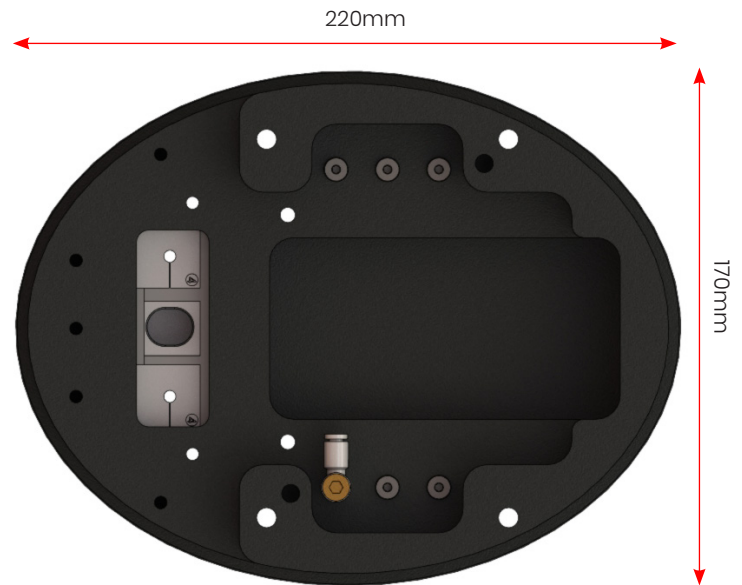
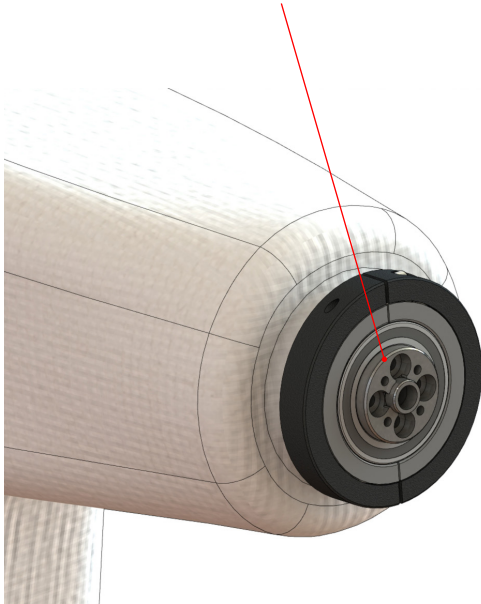
Cable entry
(1x ethernet / 1x power / 1x free)

Fixing and positioning
holes of the base




Compressed air passages
(1x overpressure / 5x free)

Fixing interface similar to the original Meca500's end flange (4xM3)



Detailed dimensions on the document "HoroBotB500_Layout"

Technical data

IP code	up to IP65 (with an internal overpressure of 5mbar applied inside the sleeve)
Sleeve fabric	Telupro© / Other materials also available on request
Main properties of the sleeve	Waterproof, washable / rinsable , repairable, ATEX paint, cutting-oil resistant
Impermeability of the sleeve	> 3'000 mm
Oval base system	One piece machined aluminium part with cable glands and waterproof hose
End flange	Stainless steel fixing flange, ball bearing to ensure infinite rotation of the robot's axis 6, anti-rotation system of the sleeve
Total weight of the system (robot not included)	~1.8kg
Media	 YouTube