

C Hollow shaft hybrid stepper

These Hollow shaft motor have 6 different sizes, from 20mm to 86mm. Each size has different stack lengths. Different sizes of inner holes, front and rear shafts can be provided. In addition, we can also customize the non-standard end machining of the shaft.



In-Position
Technologies

www.iptech1.com | (877) 478-3241 | help@iptech1.com

Part number construction	C-2
Product overview	C-3
Size 8 · 20 mm series	C-4
Size 11 · 28 mm series	C-6
Size 14 · 35 mm series	C-8
Size 17 · 42 mm series	C-10
Size 23 · 57 mm series	C-12
Size 34 · 86 mm series	C-14

Part Number Construction

17 HS 2 034 - 4 D - 100 - 001

① ② ③ ④ ⑤ ⑥ ⑦ ⑧

① NEMA Size (mm)

NEMA	08	11	14	17	23	24	34
MOTOR SIZE (mm)	20	28	35	42	57	60	86

② Motor Type

H = hollow shaft

③ Step Angle (°)

2 = 2 phase with 1.8°

4 = 2 phase with 0.9°

④ Motor Length/Stack

034 = motor length

⑤ Number Of Lead Wires

4 = qty 4 flying leads

6 = qty 6 flying leads

⑥ Shaft Configuration

D = double

S = single

⑦ Rated Current

100 = 1.0A

⑧ Customer Sequence Number

Example

Naming code

17HS2034-4D-100-001

Description

Size 42 mm
Hollow shaft
Step angle 1.8°
Motor length 34 mm
4 wiring leads
Dual shaft
Customization sequence 01

In-Position Technologies

www.iptech1.com | (877) 478-3241 | help@iptech1.com

Size (mm)	Motor length (mm)	Holding torque (N.m)	Inner holes (mm)	(W)
8 (20*20)	27.2	0.014	3	2.4
	38.1	0.02	3	4
11 (28*28)	33.35	0.053	5	4.2
	45	0.117	5	7.5
14 (35*35)	33.6	0.19	8	5.7
	45.6	0.36	8	9.1
17 (42*42)	34.1	0.31	8	7
	48.1	0.56	8	13
23 (57*57)	45	1.2	13	13
	65	2.1	13	25
34 (86*86)	76	4.5	16	31

**In-Position
Technologies**

www.iptech1.com | (877) 478-3241 | help@iptech1.com

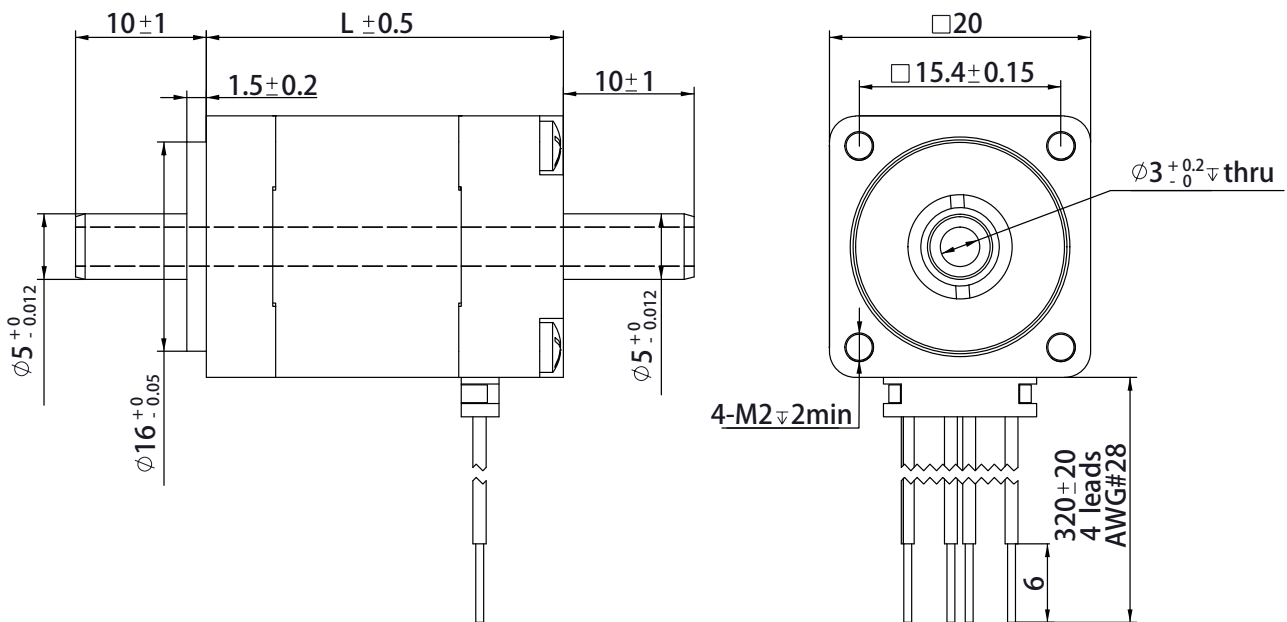
Size 8 (20 mm) Series



Motor Characteristics

Model No.	Rated Voltage (V)	Current (A)	Resistance (Ω)	Inductance (mH)	Holding Torque (N.m)	Detent Torque (N.m)	Motor length "L"(mm)
8H2028	2.55	0.5	5.1	1.5	0.014	0.002	27.2
8H2038	4.4	0.5	8.8	2.7	0.020	0.002	38.1

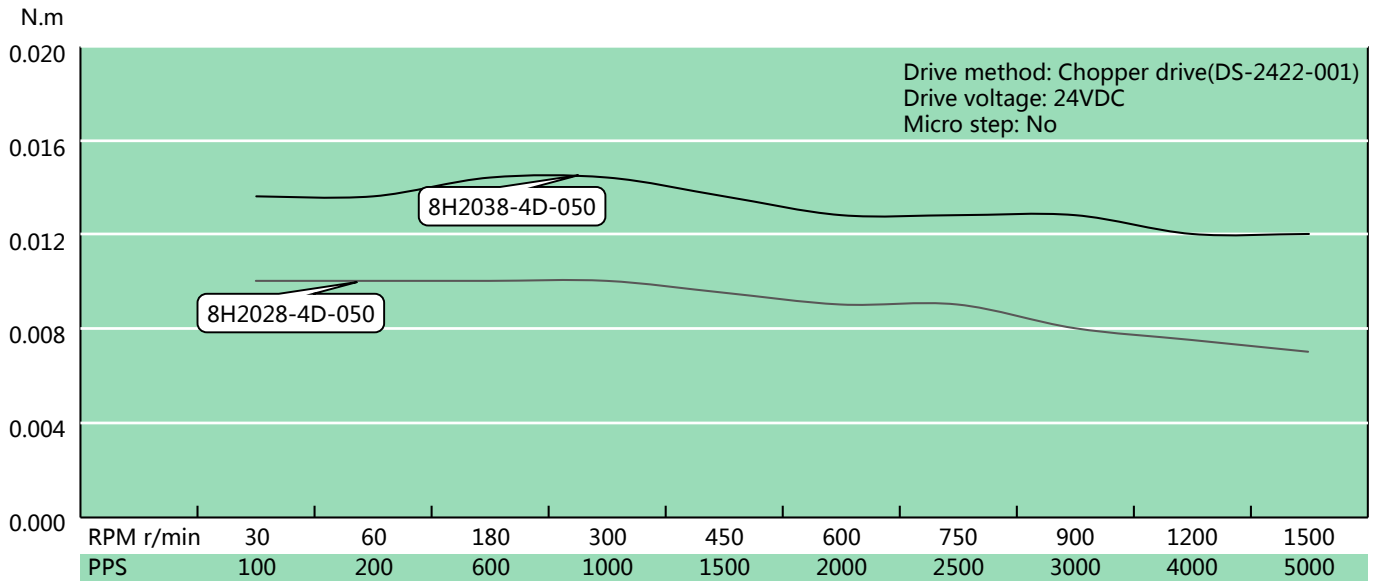
Dimensional Drawings



In-Position Technologies

www.iptech1.com | (877) 478-3241 | help@iptech1.com

Torque Performance Curves



In-Position Technologies

www.iptech1.com | (877) 478-3241 | help@iptech1.com

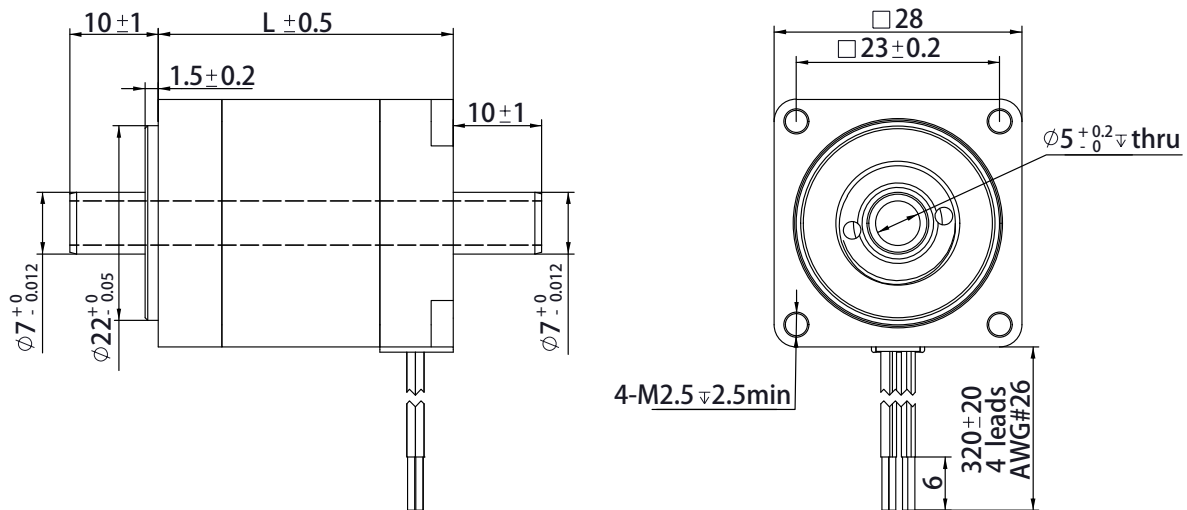
Size 11 (28 mm) Series



Motor Characteristics

Model No.	Rated Voltage (V)	Current (A)	Resistance (Ω)	Inductance (mH)	Holding Torque (N.m)	Detent Torque (N.m)	Motor length "L"(mm)
11H2033	2.1	1.0	2.1	1.5	0.053	0.004	33.5
11H2045	4.1	1.0	4.1	4.0	0.117	0.004	45

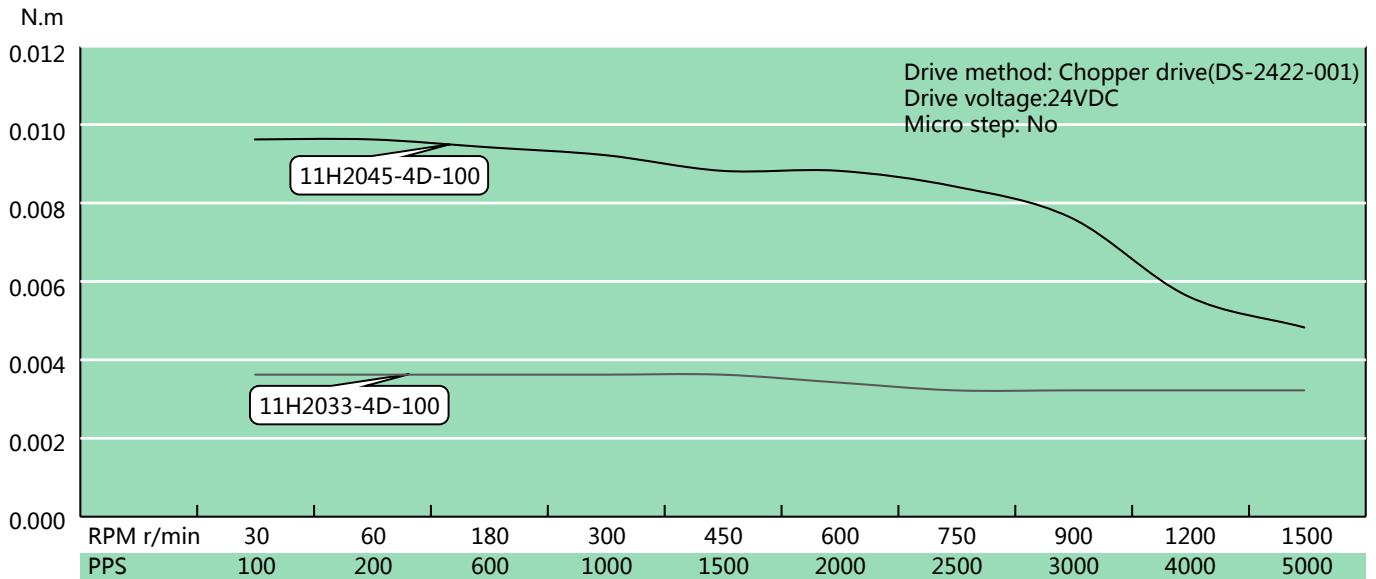
Dimensional Drawings



In-Position Technologies

www.iptech1.com | (877) 478-3241 | help@iptech1.com

Torque Performance Curves



In-Position Technologies

www.iptech1.com | (877) 478-3241 | help@iptech1.com

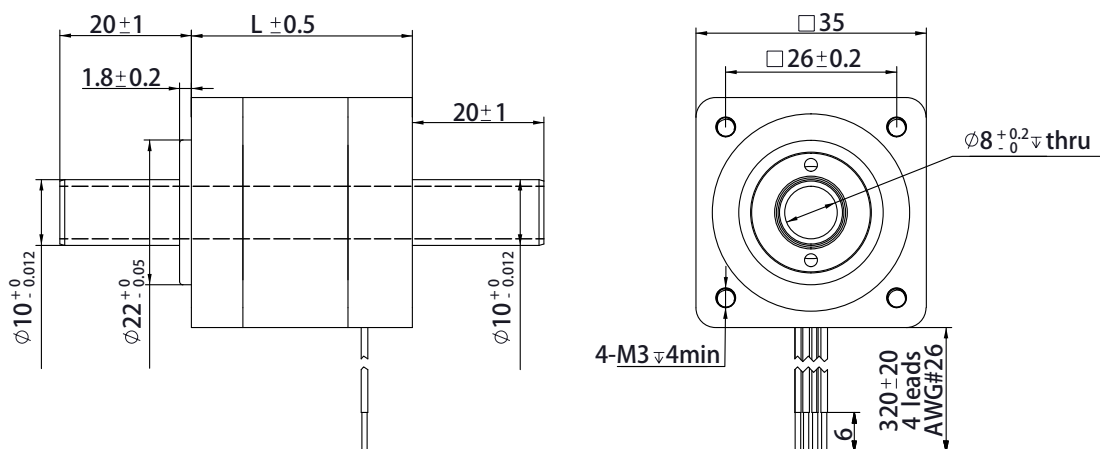
Size 14 (35 mm) Series



Motor Characteristics

Model No.	Rated Voltage (V)	Current (A)	Resistance (Ω)	Inductance (mH)	Holding Torque (N.m)	Detent Torque (N.m)	Motor length "L"(mm)
14H2033	3.5	1.0	3.5	3.6	0.19	0.008	33.6
14H2045	6	1.0	6	7.2	0.36	0.013	45.6

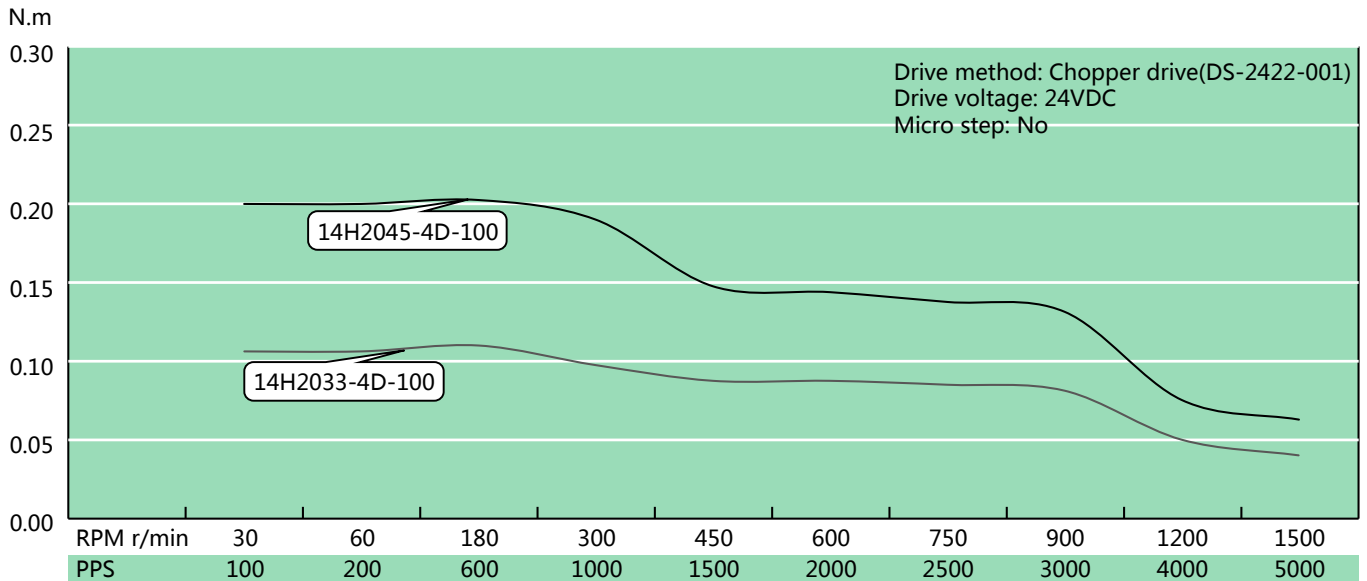
Dimensional Drawings



In-Position Technologies

www.iptech1.com | (877) 478-3241 | help@iptech1.com

Torque Performance Curves



In-Position Technologies

www.iptech1.com | (877) 478-3241 | help@iptech1.com

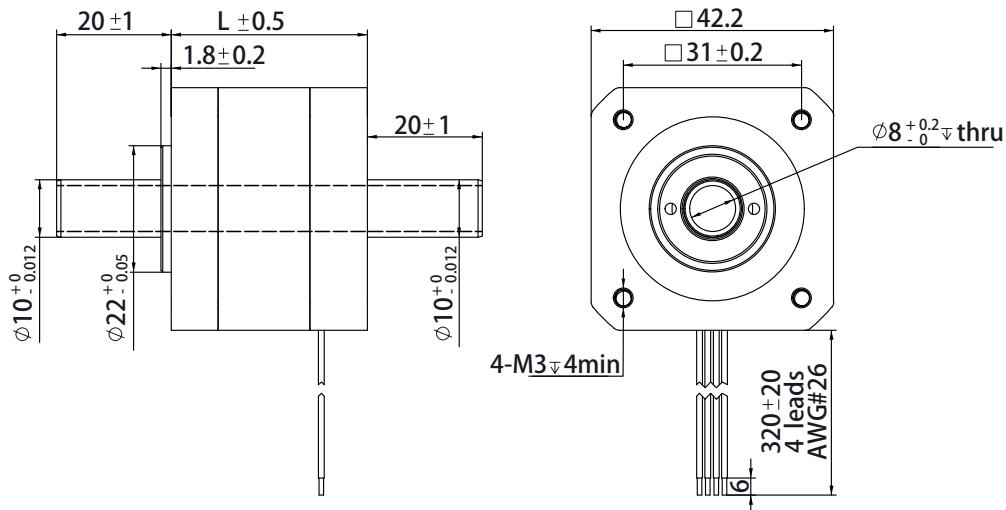
Size 17 (42 mm) Series



Motor Characteristics

Model No.	Rated Voltage (V)	Current (A)	Resistance (Ω)	Inductance (mH)	Holding Torque (N.m)	Detent Torque (N.m)	Motor length "L"(mm)
17H2034	3.8	1.0	3.8	5.0	0.31	0.014	34.1
17H2048	2.5	2.5	1.0	1.8	0.56	0.018	48.1

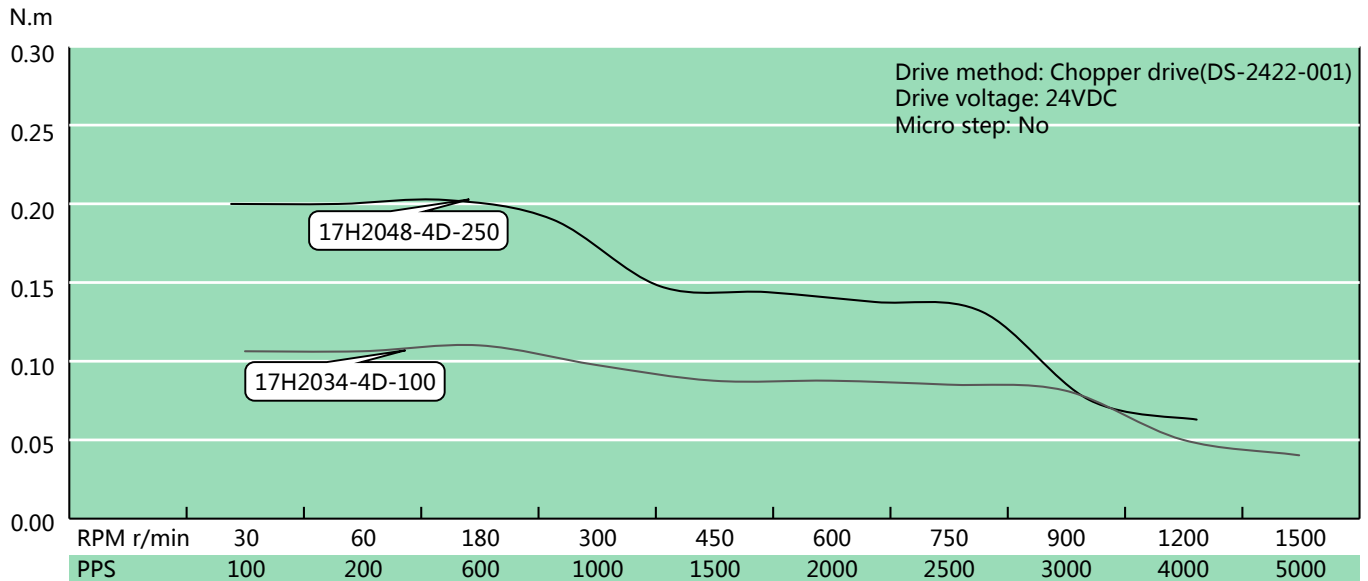
Dimensional Drawings



In-Position Technologies

www.iptech1.com | (877) 478-3241 | help@iptech1.com

Torque Performance Curves



In-Position Technologies

www.iptech1.com | (877) 478-3241 | help@iptech1.com

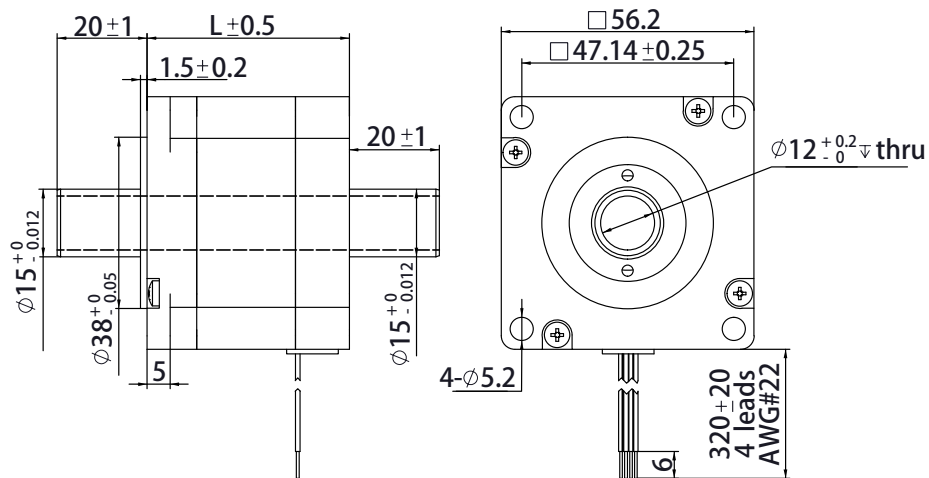
Size 23 (57 mm) Series



Motor Characteristics

Model No.	Rated Voltage (V)	Current (A)	Resistance (Ω)	Inductance (mH)	Holding Torque (N.m)	Detent Torque (N.m)	Motor length "L"(mm)
23H2045	3.5	2.0	1.75	4.1	1.2	0.020	45
23H2065	5.0	2.5	2.0	5.2	2.1	0.040	65

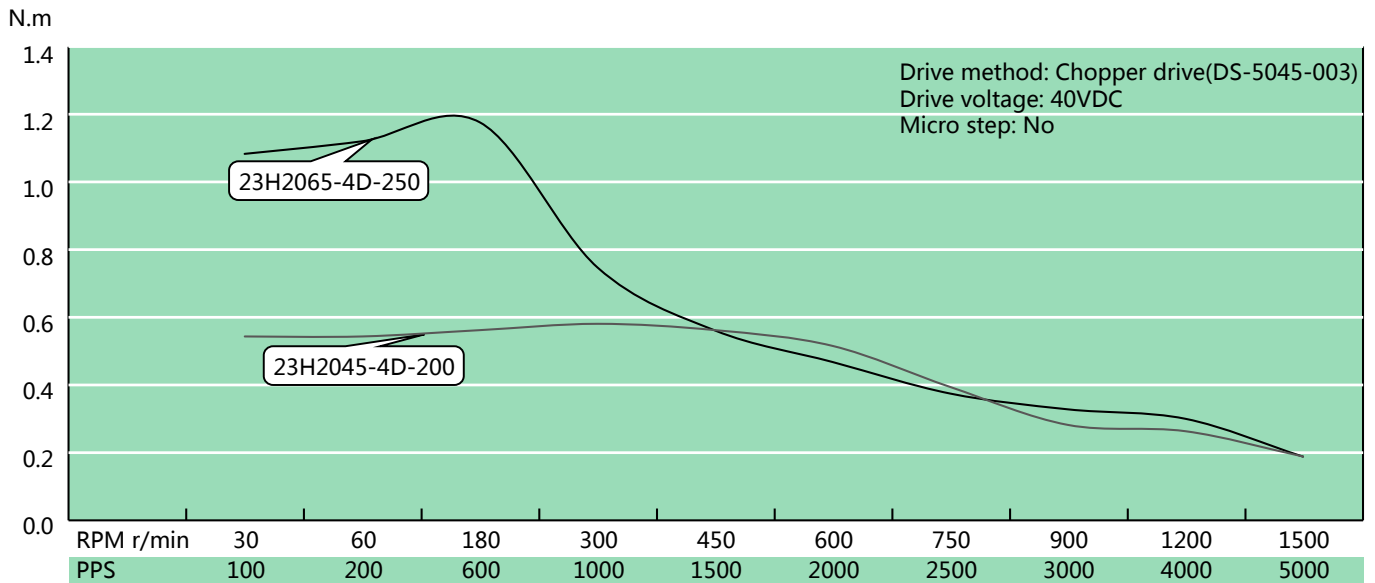
Dimensional Drawings



In-Position Technologies

www.iptech1.com | (877) 478-3241 | help@iptech1.com

Torque Performance Curves



In-Position Technologies

www.iptech1.com | (877) 478-3241 | help@iptech1.com

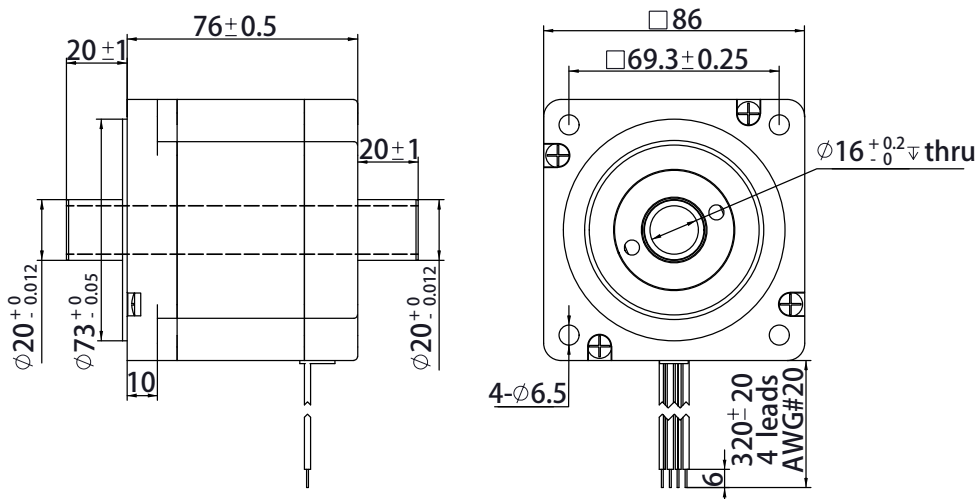
Size 34 (86 mm) Series



Motor Characteristics

Model No.	Rated Voltage (V)	Current (A)	Resistance (Ω)	Inductance (mH)	Holding Torque (N.m)	Detent Torque (N.m)	Motor length "L"(mm)
34H2076	5.7	3.0	1.9	19	4.5	0.095	76

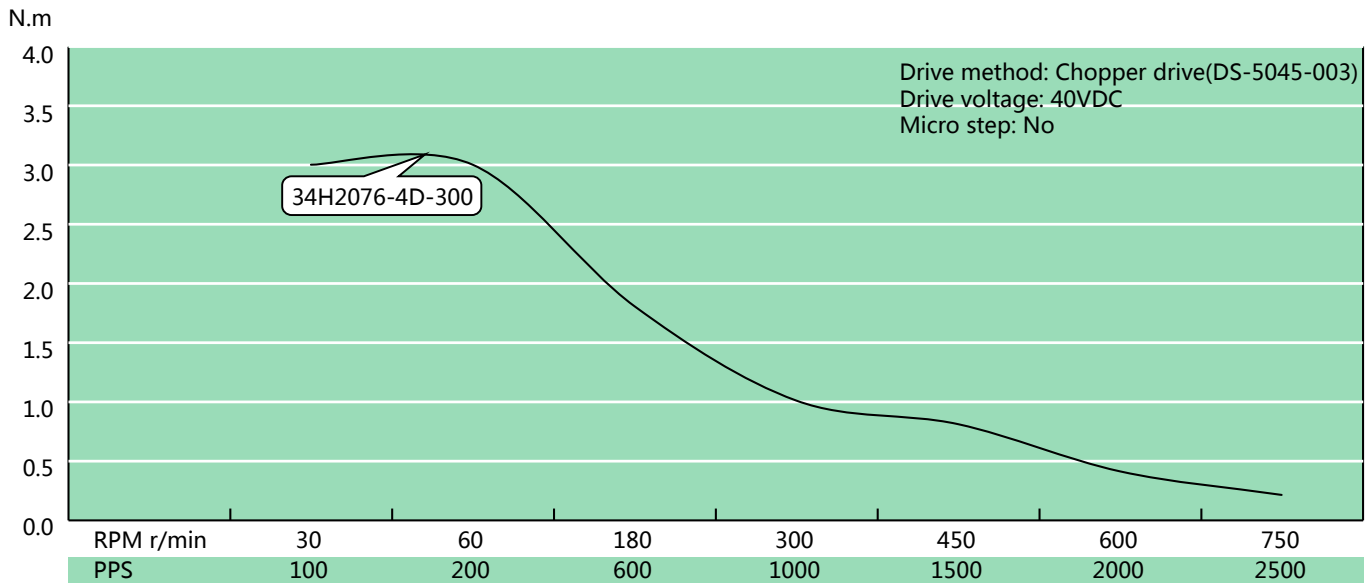
Dimensional Drawings



In-Position Technologies

www.iptech1.com | (877) 478-3241 | help@iptech1.com

Torque Performance Curves



In-Position Technologies

www.iptech1.com | (877) 478-3241 | help@iptech1.com