

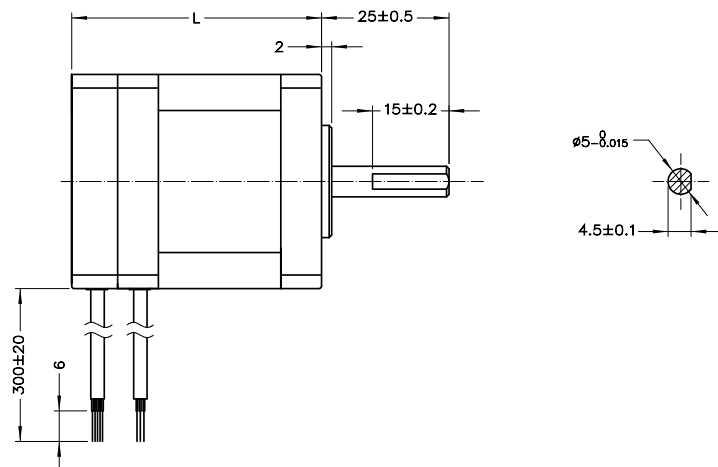
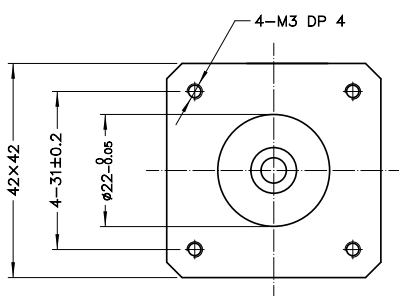
Size 17 · 42 mm Series

In-Position Technologies

www.iptech1.com | (877) 478-3241 | help@iptech1.com



M17 Frame		M17N1	M17N2	M17N3	
General					
Insulation Class		B			
Duty Type		S1			
Feed Back Method		Hall Sensors			
Commutation Angle		120°			
Winding Connection		Star			
Dielectrical Strength		500 VAC / 1 KHz / 1 mA / 1 s			
Insulation Resistance		100 MΩ / 500 VDC			
Performance					
Nominal Voltage	U_N	V	24		
Rated Power	P_N	W	31	62	94
Rated Torque	T_N	N · m	0.1	0.2	0.3
Rated Speed	n_N	RPM	3000		
Rated Current	I_N	A	1.8	3.4	5.2
Back EMF Constant	K_E	V / KRPM	5.86		
Torque Constant	K_T	N · m / A	0.056		
Poles	-	-	8		
Length	L	mm	52	70	90
Mass	-	Kg	0.35	0.55	0.65
Material					
End Cap		Aluminium Alloy			
Bearing		Deep Groove Ball Bearings			
Magnetic		Sintered NdFeB			
Shaft		Stainless Steel			

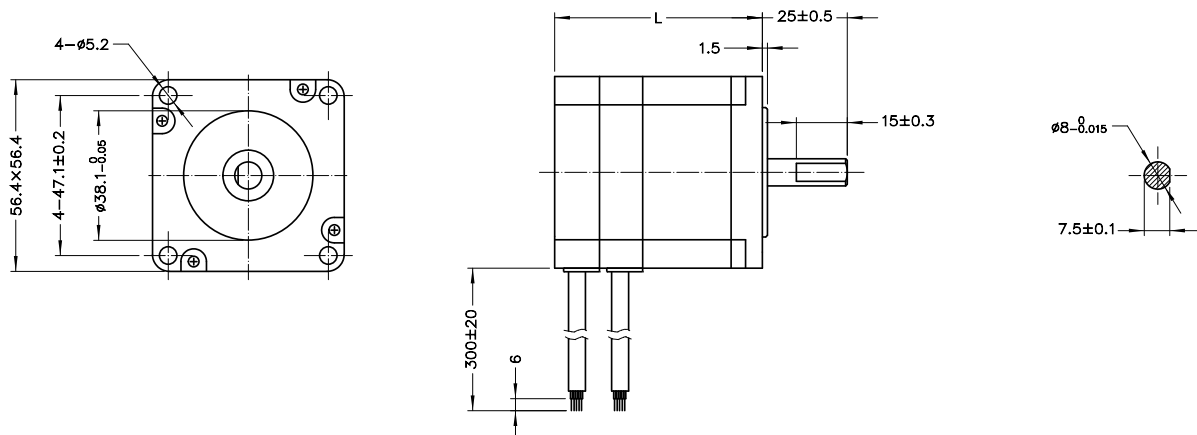


In-Position Technologies

www.iptech1.com | (877) 478-3241 | help@iptech1.com



M23 Frame		M23N1	M23N2	M23N3	
General					
Insulation Class		B			
Duty Type		S1			
Feed Back Method		Hall Sensors			
Commutation Angle		120°			
Winding Connection		Star			
Dielectrical Strength		500 VAC / 1 KHz / 1 mA / 1 s			
Insulation Resistance		100 MΩ / 500 VDC			
Performance					
Nominal Voltage	U_N	V	24		
Rated Power	P_N	W	63	126	188
Rated Torque	T_N	N · m	0.2	0.4	0.6
Rated Speed	n_N	RPM	3000		
Rated Current	I_N	A	3.4	6.9	10.5
Back EMF Constant	K_E	V / KRPM	5.86		
Torque Constant	K_T	N · m / A	0.056		
Poles	-	-	8		
Length	L	mm	60	80	100
Mass	-	Kg	0.55	0.9	1.25
Material					
End Cap		Aluminium Alloy			
Bearing		Deep Groove Ball Bearings			
Magnetic		Sintered NdFeB			
Shaft		40Cr			



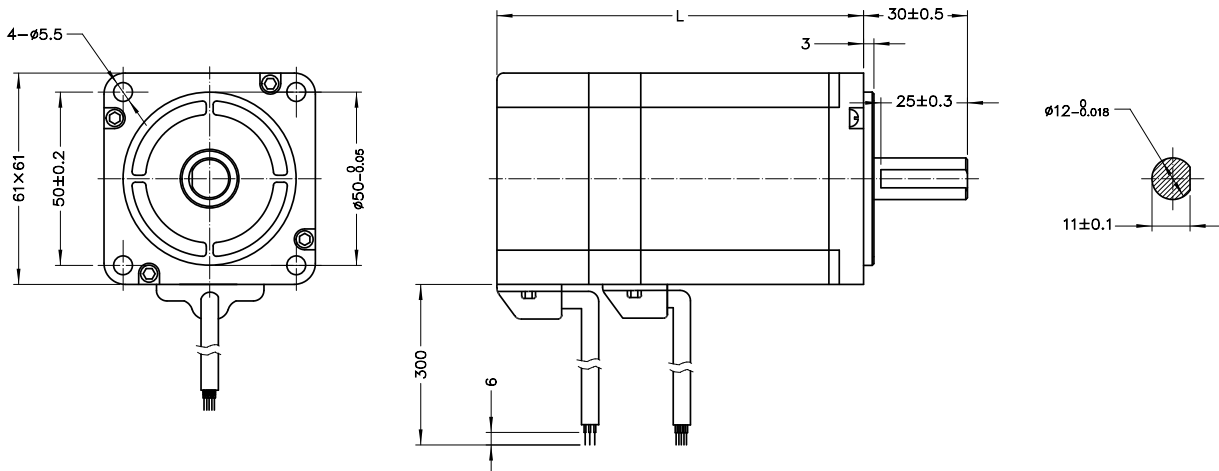
Size 24 · 60 mm Series

In-Position Technologies

www.iptech1.com | (877) 478-3241 | help@iptech1.com



M24 Frame		M24N1	M24N2	M24N3	
General					
Insulation Class		B			
Duty Type		S1			
Feed Back Method		Hall Sensors			
Commutation Angle		120°			
Winding Connection		Star			
Dielectrical Strength		500 VAC / 1 KHz / 1 mA / 1 s			
Insulation Resistance		100 MΩ / 500 VDC			
Performance					
Nominal Voltage	U_N	V	24		
Rated Power	P_N	W	78	157	235
Rated Torque	T_N	N · m	0.25	0.5	0.75
Rated Speed	n_N	RPM	3000		
Rated Current	I_N	A	4.4	8.7	13.1
Back EMF Constant	K_E	V / KRPM	5.86		
Torque Constant	K_T	N · m / A	0.056		
Poles	-	-	8		
Length	L	mm	78	99	120
Mass	-	Kg	0.85	1.25	1.7
Material					
End Cap		Aluminium Alloy			
Bearing		Deep Groove Ball Bearings			
Magnetic		Sintered NdFeB			
Shaft		40Cr			

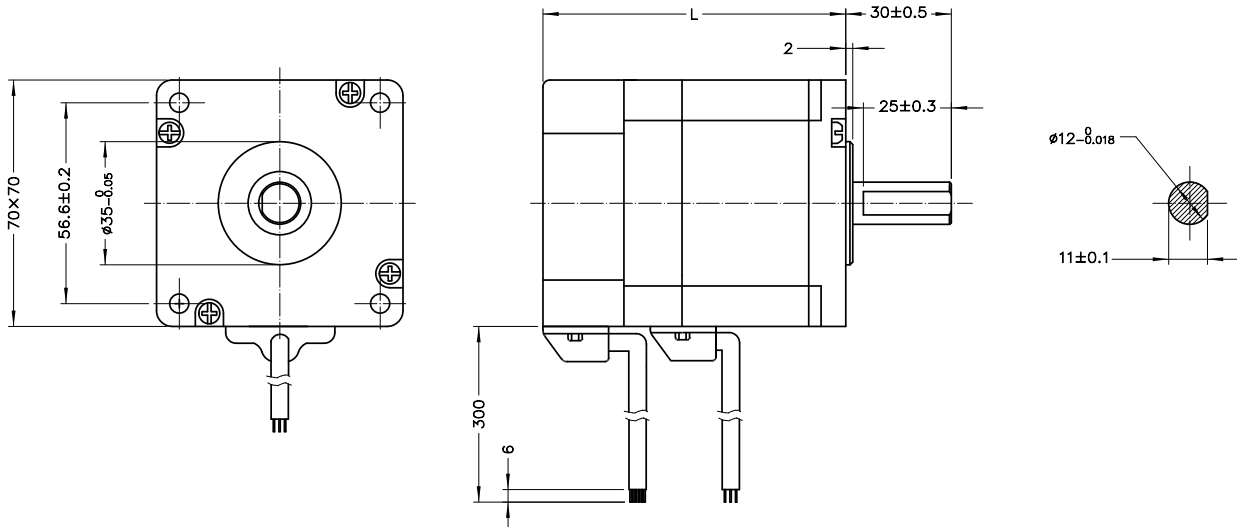


In-Position Technologies

www.iptech1.com | (877) 478-3241 | help@iptech1.com



M28 Frame		M28N1	M28N2	M28N3	
General					
Insulation Class		B			
Duty Type		S1			
Feed Back Method		Hall Sensors			
Commutation Angle		120°			
Winding Connection		Star			
Dielectrical Strength		500 VAC / 1 KHz / 1 mA / 1 s			
Insulation Resistance		100 MΩ / 500 VDC			
Performance					
Nominal Voltage	U_N	V	48		
Rated Power	P_N	W	157	315	470
Rated Torque	T_N	N • m	0.5	1	1.5
Rated Speed	n_N	RPM	3000		
Rated Current	I_N	A	4.4	8.7	13.1
Back EMF Constant	K_E	V / KRPM	12		
Torque Constant	K_T	N • m / A	0.115		
Poles	-	-	8		
Length	L	mm	87	120	150
Mass	-	Kg	1.3	2.1	2.8
Material					
End Cap		Aluminium Alloy			
Bearing		Deep Groove Ball Bearings			
Magnetic		Sintered NdFeB			
Shaft		40Cr			



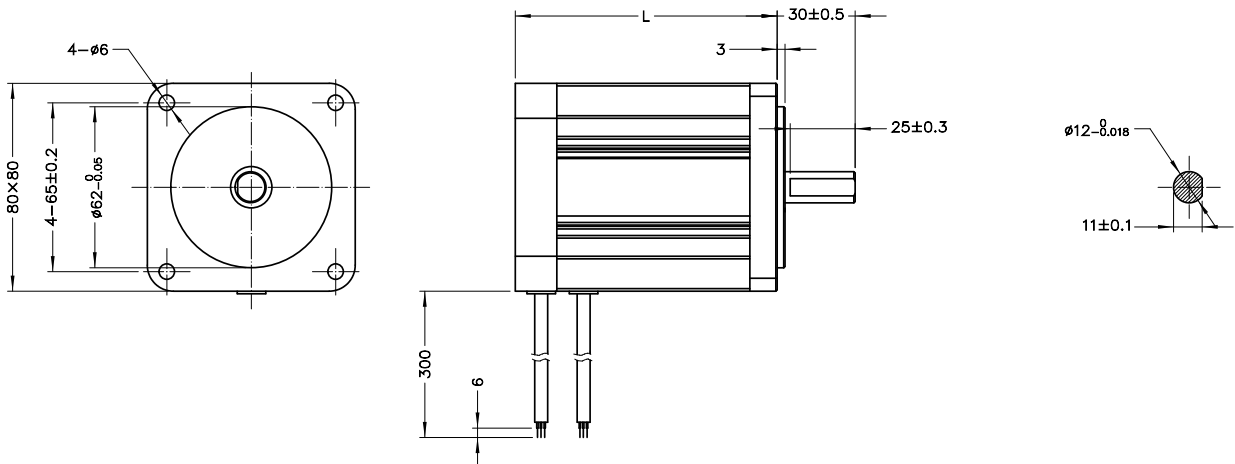
Size 32 - 80 mm Series

In-Position Technologies

www.iptech1.com | (877) 478-3241 | help@iptech1.com



M32 Frame		M32N1	M32N2	M32N3	
General					
Insulation Class		B			
Duty Type		S1			
Feed Back Method		Hall Sensors			
Commutation Angle		120°			
Winding Connection		Star			
Dielectrical Strength		500 VAC / 1 KHz / 1 mA / 1 s			
Insulation Resistance		100 MΩ / 500 VDC			
Performance					
Nominal Voltage	U_N	V	48	310	
Rated Power	P_N	W	314	471	628
Rated Torque	T_N	N • m	1	1.5	2
Rated Speed	n_N	RPM	3000		
Rated Current	I_N	A	8.7	13	2.7
Back EMF Constant	K_E	V / KRPM	12		78.5
Torque Constant	K_T	N • m / A	0.115		0.75
Poles	-	-	4		
Length	L	mm	95	125	145
Mass	-	Kg	1.8	2.8	3.6
Material					
End Cap		Aluminium Alloy			
Bearing		Deep Groove Ball Bearings			
Magnetic		Sintered NdFeB			
Shaft		40Cr			

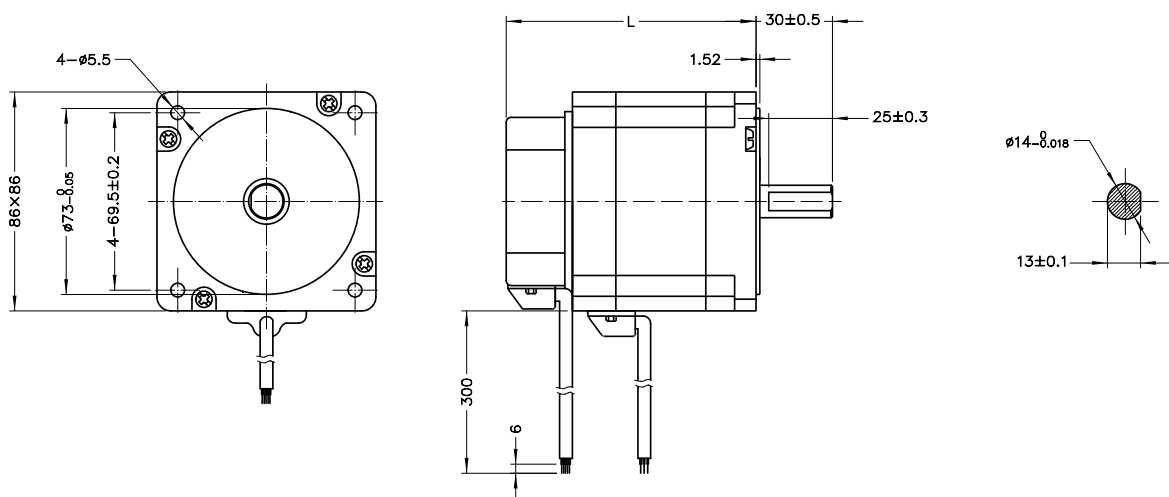


In-Position Technologies

www.iptech1.com | (877) 478-3241 | help@iptech1.com



M34 Frame		M34N1	M34N2	M34N3	
General					
Insulation Class		B			
Duty Type		S1			
Feed Back Method		Hall Sensors			
Commutation Angle		120°			
Winding Connection		Star			
Dielectrical Strength		500 VAC / 1 KHz / 1 mA / 1 s			
Insulation Resistance		100 MΩ / 500 VDC			
Performance					
Nominal Voltage	U_N	V	48	310	
Rated Power	P_N	W	220	440	660
Rated Torque	T_N	N · m	0.7	1.4	2.1
Rated Speed	n_N	RPM	3000		
Rated Current	I_N	A	6.1	12.2	2.8
Back EMF Constant	K_E	V / KRPM	12		78.5
Torque Constant	K_T	N · m / A	0.115		0.75
Poles	-	-	8		
Length	L	mm	97	124	151
Mass	-	Kg	1.85	2.6	4
Material					
End Cap		Aluminium Alloy			
Bearing		Deep Groove Ball Bearings			
Magnetic		Sintered NdFeB			
Shaft		40Cr			



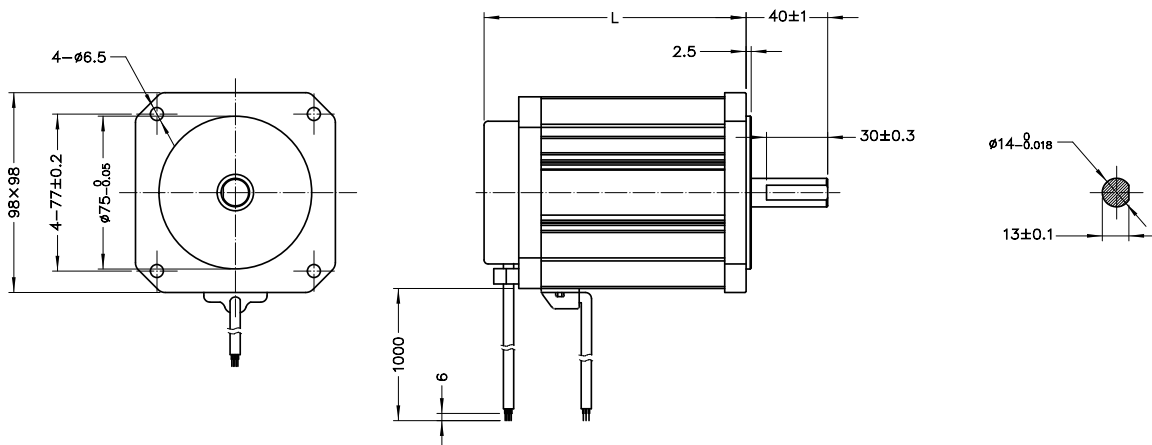
Size 40 - 100 mm Series

In-Position Technologies

www.iptech1.com | (877) 478-3241 | help@iptech1.com



M40 Frame		M40N1	M40N2
General			
Insulation Class		B	
Duty Type		S1	
Feed Back Method		Hall Sensors	
Commutation Angle		120°	
Winding Connection		Star	
Dielectrical Strength		500 VAC / 1 KHz / 1 mA / 1 s	
Insulation Resistance		100 MΩ / 500 VDC	
Performance			
Nominal Voltage	U_N	V	310
Rated Power	P_N	W	847
Rated Torque	T_N	N • m	2.7
Rated Speed	n_N	RPM	3000
Rated Current	I_N	A	3.6
Back EMF Constant	K_E	V / KRPM	78.5
Torque Constant	K_T	N • m / A	0.75
Poles	-	-	8
Length	L	mm	128
Mass	-	Kg	3
Material			
End Cap		Aluminium Alloy	
Bearing		Deep Groove Ball Bearings	
Magnetic		Sintered NdFeB	
Shaft		40Cr	



In-Position Technologies

www.iptech1.com | (877) 478-3241 | help@iptech1.com



M43 Frame		M43N1	M43N2	M43N3	
General					
Insulation Class		B			
Duty Type		S1			
Feed Back Method		Hall Sensors			
Commutation Angle		120°			
Winding Connection		Star			
Dielectrical Strength		500 VAC / 1 KHz / 1 mA / 1 s			
Insulation Resistance		100 MΩ / 500 VDC			
Performance					
Nominal Voltage	U_N	V	310		
Rated Power	P_N	W	1256	1885	2513
Rated Torque	T_N	N · m	4	6	8
Rated Speed	n_N	RPM	3000		
Rated Current	I_N	A	5.1	7.7	10.2
Back EMF Constant	K_E	V / KRPM	82.1		
Torque Constant	K_T	N · m / A	0.78		
Poles	-	-	8		
Length	L	mm	155	180	210
Mass	-	Kg	4.5	7	9.5
Material					
End Cap		Aluminium Alloy			
Bearing		Deep Groove Ball Bearings			
Magnetic		Sintered NdFeB			
Shaft		40Cr			

