



The DS2400N is a compact laser scanner offering improved reading performance, excellent flexibility and full on-board connectivity options with PROFINET, EtherNet/IP and Ethernet TCP/IP protocols. The versatile DS2400N scanner is purpose-built for automatic warehousing and factory automation applications. The DS2400N combines best in class optics with the next generation of code reconstruction algorithms, delivering superior performance on low quality codes or damaged labels. With on-board Ethernet ports and switch capability, the DS2400N can be networked into PROFINET line or ring topologies for system redundancy. With EDS-AOP setup tools, configuring the EtherNet/IP fieldbus communication is simple and easy. Through PROFINET, the DS2400N can be configured via the modular structure contained in the GSDML file. Parameters are stored in the GSDML file, providing automatic configuration for failed or replaced devices. Thanks to an innovative rotating connector block, the DS2400N minimizes its mechanical dimensions offering a flexible form factor during installation. Embedding switches, dual PROFINET parts, and a rotating connector block are a few of the unique features that define the Datalogic DS2x00N family. Innovative software features provide easy and simple scanner installation and replacement.



IDENTIFICATION



## HIGHLIGHTS

- Embedded Ethernet connectivity
- Two PROFINET Ports
- Embedded Ethernet Switch
- Line topology
- Rotating connector block
- Compact dimensions
- Installation flexibility and optimum form factor
- ACR: Advanced Code Reconstruction
- Excellent performance on low quality and damaged labels
- Up to a 600 mm (23.6 in) reading distance

## APPLICATIONS

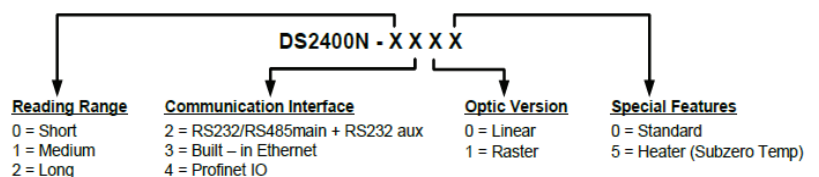
- Automatic warehouses
- Factory automation
- Automatic picking systems
- Process control and packaging
- Print & apply systems

## TECHNICAL DATA

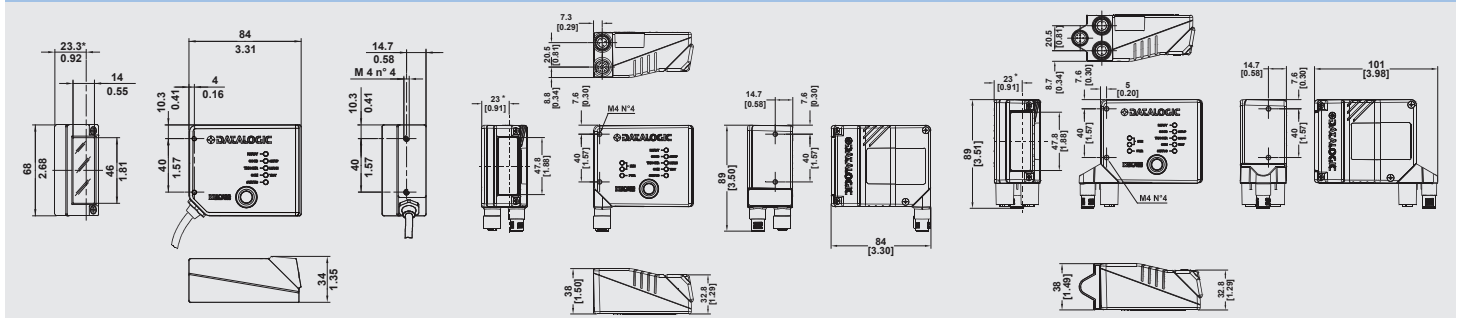
| INDUSTRIAL LASER BAR CODE SCANNERS | DS2400N-X2XX  | DS2400N-X3XX  | DS2400N-X4XX                                     |
|------------------------------------|---|---|--|
| Reading Distance (Min / Max)       |   | 70 - 600 mm<br>(2.76 - 23.62 in)  |  |
| Max Resolution                     |   | up to 0.12mm (5 mils)   |  |
| Scan Rate                          |   | 500 - 1000 scans/s  |  |
| Scan Pattern Type                  |   | Linear / Raster   |  |
| Aperture Angle                     |   | 60 degrees  |  |
| Multilabel Reading                 |   | Up to 10 Codes in the same reading phase  |  |
| Reconstruction Code Technology     |   | ACR Advanced Code Reconstruction  |  |
| Readable Codes                     |   | Code 12of5, Code39, Code93, Code128, EAN/UPC, EAN128, Codabar, Pharmacode, Plessey, ISBT128                   |  |
| Case Material                      |   | Aluminum  |  |
| Dimensions (Typical Value)         | 84 x 68 x 34 mm (3.3 x 2.7 x 1.3 in)  | 104 x 69 x 38 mm (4.1 x 2.7 x 1.5 in)   | 104 x 86 x 38 mm (4.1 x 3.4 x 1.5 in)            |
| Weight                             | 330g ( 11.64 oz)  | 281 g (10 oz.)  | 308 g (10.9 oz.)                                 |
| Temperature Range                  |   | 0° - 45 °C (32 - 113 °F)  |  |
| Voltage Supply/Power Consumption   |   | 10-30 VDC; 4 W (average)  |  |
| IP Rating                          |   | IP65  |  |
| Embedded Communication Interfaces  | Main port RS232/RS422/RS485<br>Auxiliary port RS232<br>ID-NET RS485 multidrop | EtherNet/IP, Ethernet TCP/IP<br>Main port RS232/RS422/RS485<br>Auxiliary port RS232<br>ID-NET RS485 multidrop | PROFINET, Ethernet TCP/IP                        |
| Digital Inputs                     | 2 Input (optocoupled, NPN/PNP)  | 2 Input (optocoupled, NPN/PNP)  | Not Applicable / via PROFINET Fieldbus           |
| Digital Outputs                    | 2 Outputs (optocoupled)   | 2 Outputs (non-optocoupled)   | Not Applicable / via PROFINET Fieldbus           |
| Id-Net™ Interface                  |   | ✓   |  |
| Fieldbus                           | ✓ with CBX, QLM external devices  | Embedded Ethernet-IP / compatible with CBX, QLM external devices  | Embedded Profinet with internal switch (2 Ports) |
| Ethernet                           | ✓ with CBX, QLM external devices  | Embedded Ethernet TCP-IP / compatible with CBX, QLM external devices  | Embedded PROFINET with internal switch (2 Ports) |
| Xpress Interface™                  |   | ✓   |  |
| Device Programming                 |   | Genius™ (Windows™ based) SW   |  |

## ACCESSORIES

| ACCESSORY | DESCRIPTION                   | PN        |
|-----------|-------------------------------|-----------|
| OM2000N   | Oscillating Mirror            | 93ACC1783 |
| GFC-200   | 85° Contact Reading Mirror    | 93A201108 |
| GFC-2100  | 2KN 90° Lateral Output Window | 93A201000 |
| GFC-2020  | 102° Lateral Output Mirror    | 93ACC1871 |



## DIMENSIONS



## READING DIAGRAMS

