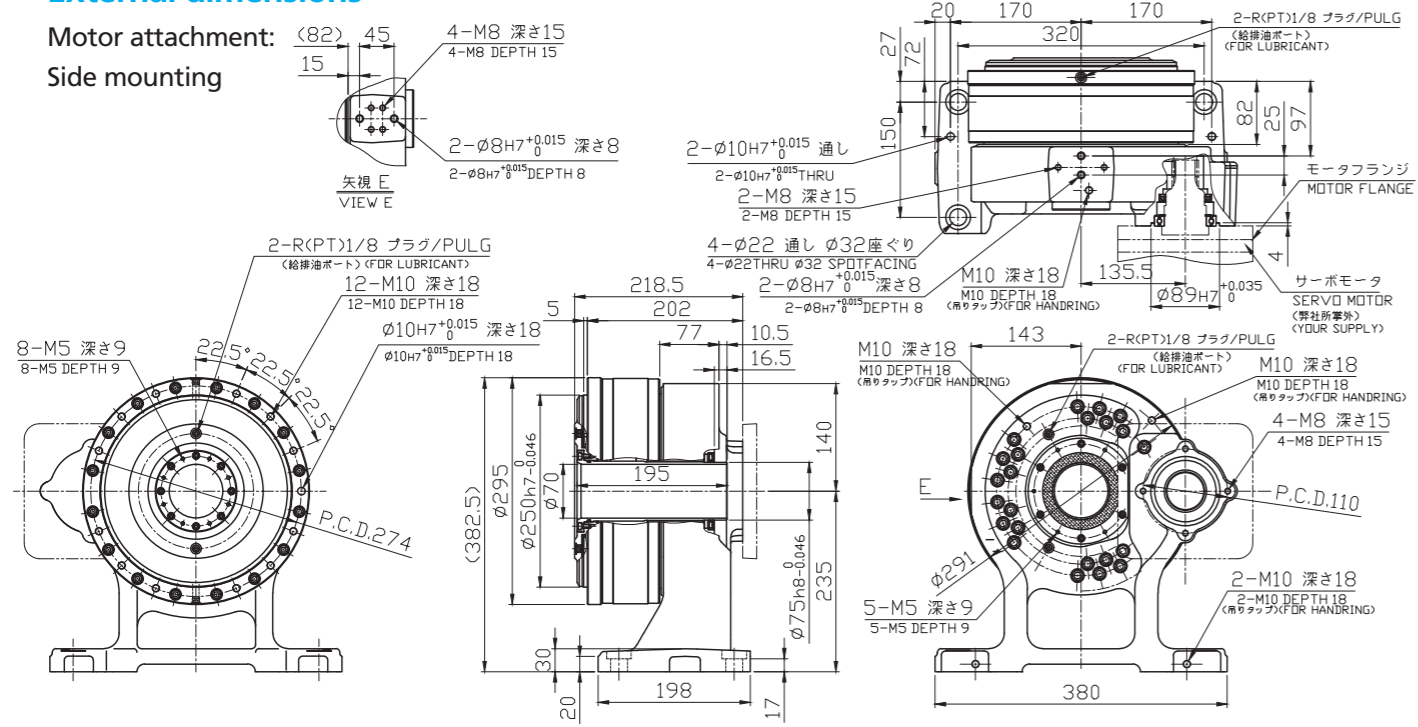
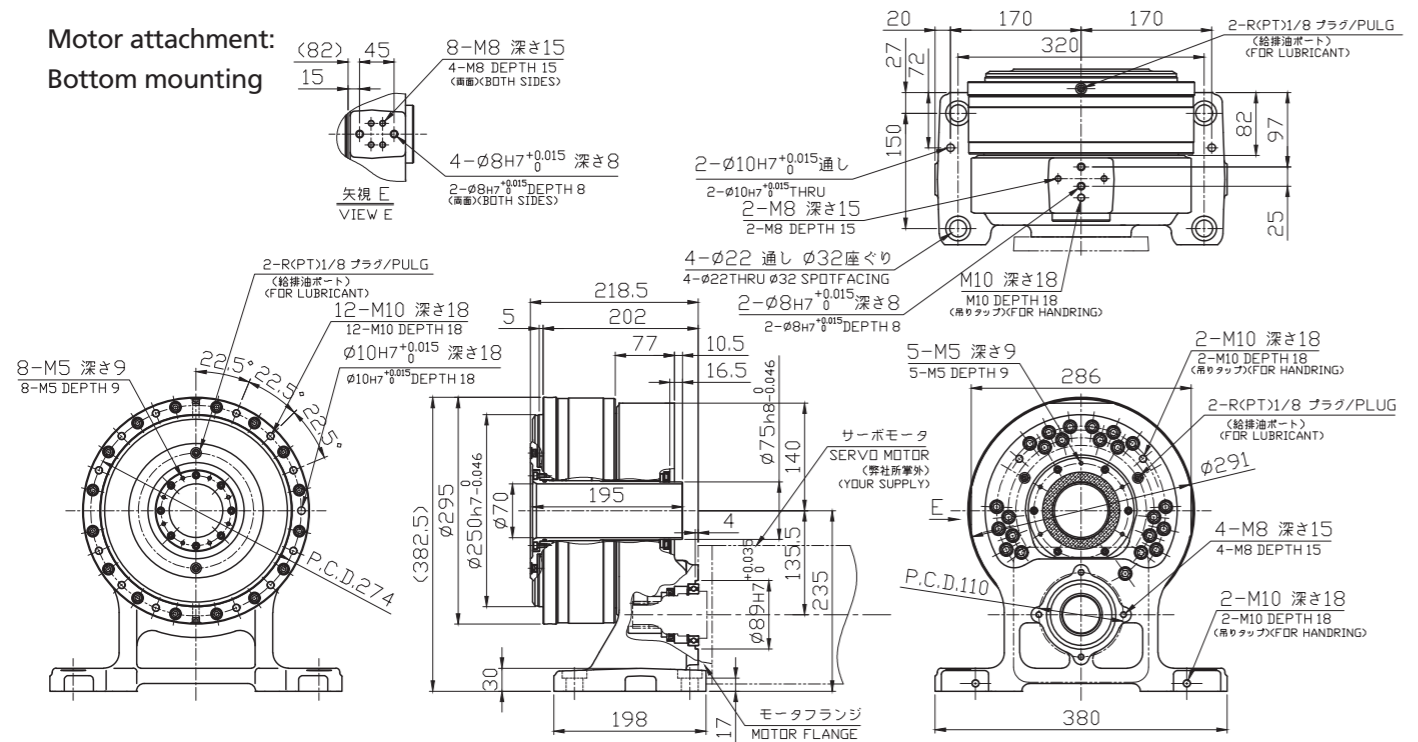


External dimensions

Motor attachment:
Side mounting



Motor attachment:
Bottom mounting



RV[®]

Precision Reduction Gear RV[™]

Gearhead equipped with Base Flange

RH-155C Foot Type

New



New Slim Profile, Hollow Shaft (ø70) Gearhead
enables compact positioner design,
pre-filled with lubricant, and has an integrated
base flange for easy installation.

Nabtesco
Nabtesco Corporation

<https://precision.nabtesco.com/>



- Nabtesco, RV and RVP are registered trademarks or trademarks of Nabtesco Corporation.
- Specifications are subject to change without notice.
- Unauthorized reprinting, reproduction, copying, or translation of this catalog in whole or in part is strictly prohibited.

©2019 Nabtesco Corporation All Reserved

CAT.190520-Rev.000 (Issued on May 20, 2019)

Europe and Africa

Nabtesco Precision Europe GmbH (Düsseldorf, Germany)
TEL: +49-211-173790 FAX: +49-211-364677 E-MAIL: info@nabtesco.de

North and South America

Nabtesco Motion Control Inc. (MI, USA)
TEL: +1-248-553-3020 FAX: +1-248-553-3070 E-MAIL: engineer@nabtescomotioncontrol.com

India

Nabtesco India Private Limited (Bangalore, India)
TEL: +91-80-4123-4901 FAX: +91-80-4123-4903

Asia and others

Nabtesco Corporation (Japan)
Nagoya Office
TEL: +81-52-582-2981 FAX: +81-52-582-2987

Customer Support Center
TEL: +81-59-237-4672 FAX: +81-59-237-4697

E-MAIL: P_Information@nabtesco.com



In-Position
Technologies

www.iptech1.com | (877) 478-3241 | help@iptech1.com

Nabtesco

RH-155C Foot Type

Features

- **Flat structure reduces the gearhead length** (Gearhead profile: 220 mm)*
* The length may vary according to the servomotor used
- **Hollow shaft type** (hollow diameter: $\phi 70$) allows wiring to pass through
- **Integrated base flange structure makes it easy to attach to any system**
- **Either side or bottom mounting can be selected for the motor attachment position**
- **External shaft motors from all robot manufactures can be installed**
(Compatible with any motor axis type and mounting P.C.D.)
- **Gearhead is pre-lubricated with grease**
(Pre-filling with a proper amount of grease simplifies motor assembly, LB00 RV grease is used)
- **Brackets and other peripheral components can be attached**
(Pin and service tap holes are provided on the side and top)
- **Grease can be replaced easily**
(Grease supply/discharge ports are provided on the front, side, and back)



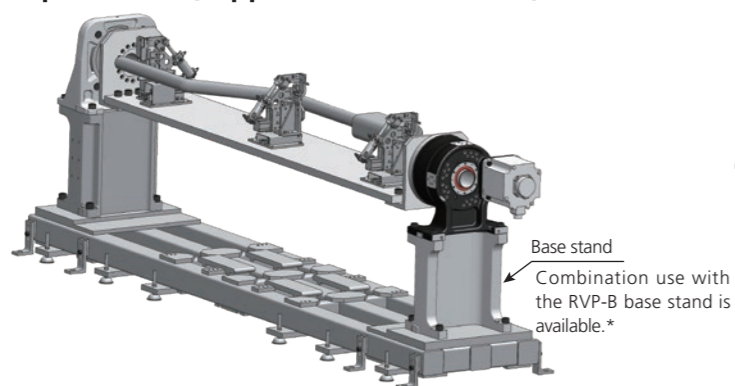
Specification List

Model	RH-155C
Rated torque	1,470 N-m
Allowable acceleration/deceleration torque	3,675 N-m
Momentary maximum allowable torque	7,350 N-m
Allowable output speed (forward/reverse switching)	30 rpm
Allowable output speed (forward/reverse switching, duty: 35%)	51 rpm

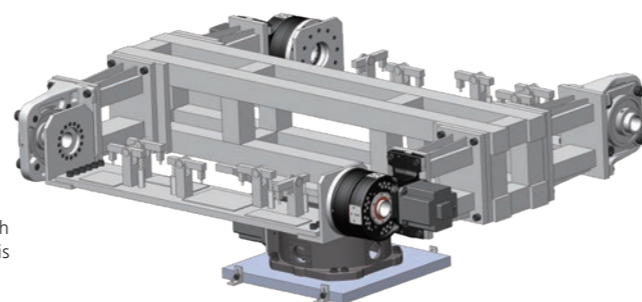
Allowable moment	4,000 N-m
Momentary maximum allowable moment	8,000 N-m
Backlash	Max 1 arc.min
Reduction ratio	78.3, 104.4, 120.46
Operating range	Endless
Weight (without motor flange, input gear)	90 kg

Application

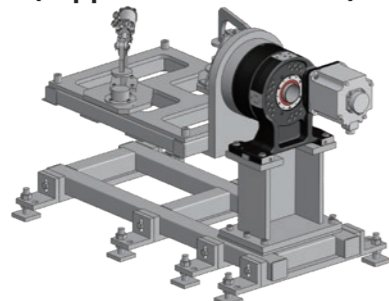
BBQ positioner (supported on both ends)



Turntable + BBQ positioner



BBQ positioner (supported on one end)



Using service tap holes



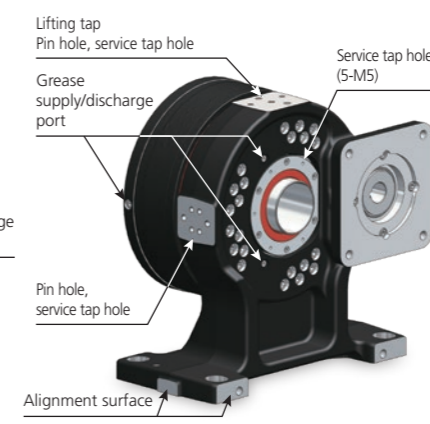
Example: With origin marker bracket mounted

* RVP-B: Nabtesco BBQ positioner unit (gearhead, bearing unit, and base stand)

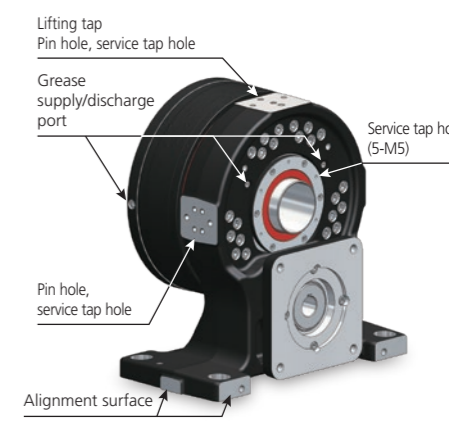
Motor attachment: Side mounting



Motor attachment: Bottom mounting

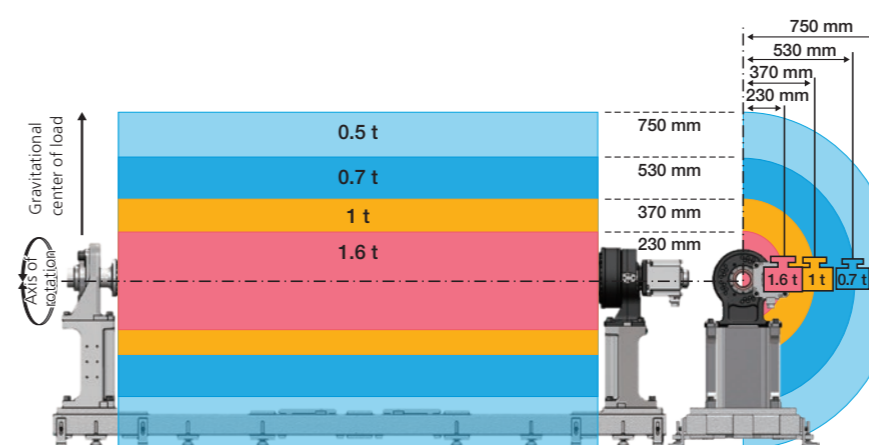


Motor attachment: Bottom mounting

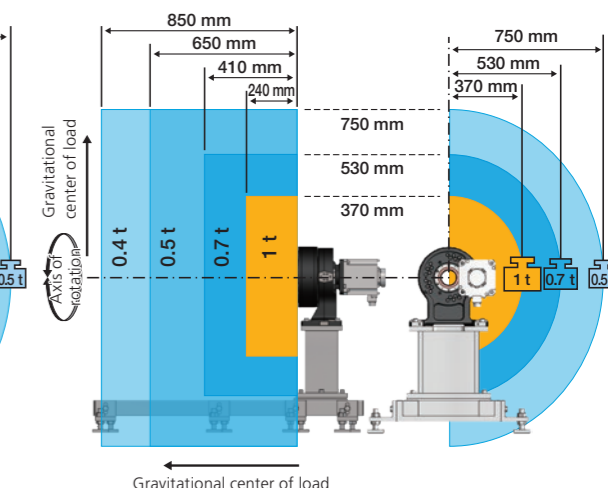


Carrying Capacity Based on Gravitational Center of Load

Supported on both ends



Supported on one end



* The carrying capacities shown in this brochure are reference values only.