

HarmonicPlanetary®

Miniature Harmonic Planetary® Gearhead for Speed Reduction and Precision Motion Control

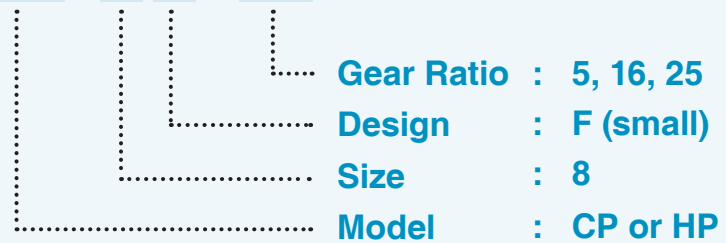
New miniature high-performance gearheads for small servomotors – Connect the new CP/HP gearhead to a small servomotor (5W-20W) to create an ultra-compact high performance servo actuator. These new gearheads are available with removable input HUB pinion assembly (CP) or standalone pinion with precision through bore (HP). They are ideally suited for semiconductor and medical applications.

- **Size: 25mm Square**
- **Quick Delivery**
- **Ratios: 5:1, 16:1, 25:1**
- **Low Backlash ≤30 arc-min**



■ Ordering Code

HP - 8 F - 25



CP - Includes removable input HUB pinion assembly version

HP - Includes stand alone pinion with precision thru bore

■ Rating Table

Size	Ratio	Dimension	Rated Torque	Repeated Torque	Momentary Peak Torque	Allowable Max Speed	Allowable Radial Load	Allowable Axial Load	Mass
		mm	Nm	Nm	Nm	rpm	N	N	kg
HP-8F	5	25	0.40	2.26	5.88	5000	52	47	0.12
	16	25	1.07	2.55	5.88	5000	76	47	0.15
	25	25	1.57	2.26	5.88	5000	89	47	0.15

■ Performance

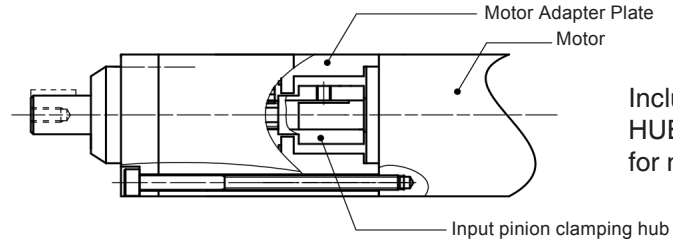
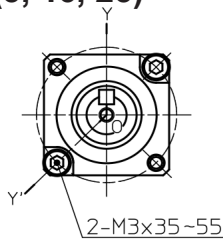
Item	Measurement Condition	Value
Backlash	± 5% Rated Torque	≤ 30 arc-min
Transmission Error	No Load	≤ 30 arc-min
Efficiency 28°C	Rated Torque @ 3000 rpm	80%
Life _(L10)	Rated Torque	20,000 hrs

In-Position Technologies

■ Outline Dimensions

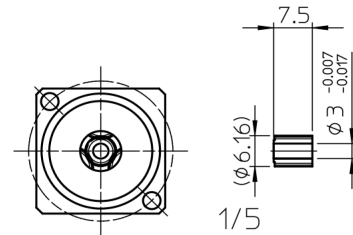
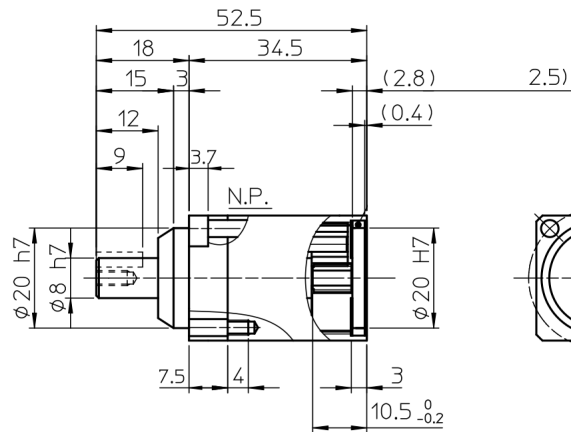
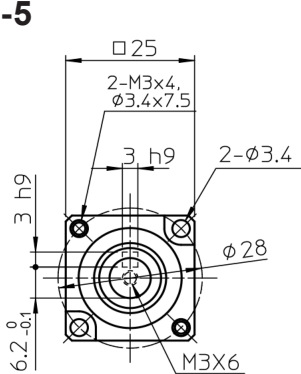
Only primary dimensions are shown in the drawings below. Refer to the confirmation drawing for detailed dimensions.

■ CP-8F-(5, 16, 25)



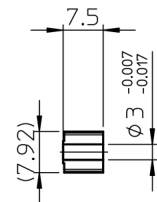
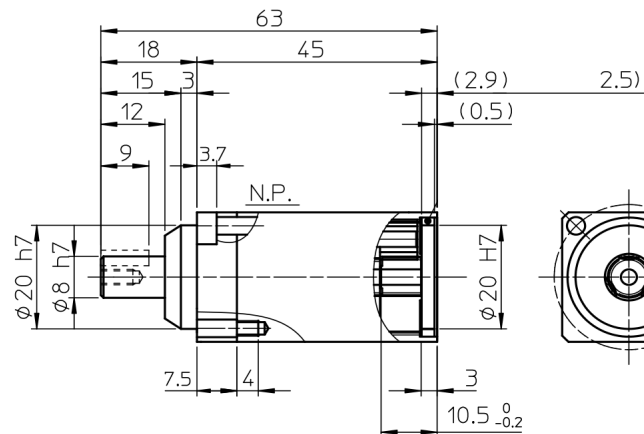
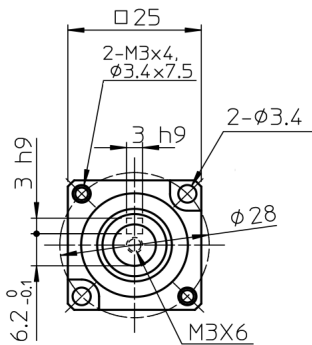
Includes removable HUB pinion assembly for motor shaft mounting

■ HP-8F-5



1/5

■ HP-8F-16 / HP-8F-25



1/16, 1/25



Boston US Headquarters
 247 Lynnfield Street
 Peabody, MA 01960
 T: 800.921.3332
 T: 978.532.1800
 F: 978.532.9406
www.HarmonicDriveGearhead.com

In-Position Technologies
www.iptech1.com | (877) 478-3241 | help@iptech1.com