

MATRIX 220™



The Matrix 220 imager is the most compact image based bar code reader for top performance with the highest flexibility. It is the ideal imager reader for Electronics, Automotive, Packaging and Document Handling applications.

The Matrix 220 imager is designed for superior performance thanks to a 1.2 MPixel high resolution sensor and a new multicore image processing platform.

The Premium platform is designed for superior performance, thanks to a new quad-core image processing platform that can double the processing power and halve the decoding time compared to the standard version. The main customer benefits of this increased computing power translate into increased throughput, and efficiency, as well as faster handling during multi-recipe mode. The Matrix 220 Premium can capture and process twice as many images as the standard version in a given time period.

The innovative lighting solutions with an integrated flexible illumination system makes the Matrix 220 imager perfect for reading bar codes marked with DPM (Direct Part Marking). The Matrix 220 offers in a single model the polarized and diffused light options resulting in optimal illumination on any type of surface. The white and red lights models are capable of solving a huge variety of applications with the best performance. The electronic focus control allows easy remote job changing during assembly line reconfiguration with extreme reading flexibility.

The Matrix 220 imager has the best ease of use because of the green and red spot lights, the X-Press™ button, the intuitive HMI and the DL.CODE™ configuration software, which has been improved with the Automatic Setup mode for a quick and easy code reading.

ESD and Anti-YAG protection are available as front cover accessories to enhance the product flexibility reducing the number of models and simplifying the stock management.

The IP67 and IP65 industrial grade rating and the operating temperature range from -10 to 50 °C / 14 to 122 °F guarantee the best quality and robustness in the Manufacturing Industry applications. The Matrix 220 imager offers cost-effective communication options with Power over Ethernet (PoE) connectivity, onboard PROFINET/IO and ETHERNET/IP industrial fieldbus.

With its outstanding performance, the Matrix 220 imager delivers a high performance/price ratio offer in the Datalogic portfolio.



HIGHLIGHTS

- Ultra-compact dimensions and rotating connector for easy integration and installation in tight spaces
- Industrial grade electronic focus for extreme reading flexibility
- New All-In-One DPM illuminator; Red and blue-light polarizing filter and diffused illuminator on one model for many application needs and strong DPM reading performances
- Ultraviolet illumination system perfectly suitable for all the industrial applications characterized by UV-sensitive fluorescent ink
- Top performing High Power Illuminator models for challenging high speed applications
- New multicore image processing platform excellent for high speed applications and capable of reading up to 2 mils code resolution
- Hardware Acceleration to speed up algorithms and improve decoding capabilities
- Digimarc Barcode reading technology for added value decoding applications
- High Dynamic Range to improve image quality and contrast
- Power over Ethernet option, onboard PROFINET/IO and ETHERNET/IP for industrial connectivity
- OPC UA protocol for Industry 4.0
- Extreme industrial grade IP65 and IP67 ratings for harsh environments; -10 to 50 °C / 14 to 122 °F operating temperature, new flexible cables suitable for robotic arms applications
- ESD and Anti-YAG protection as front cover accessory for extreme flexibility and optimized stock

APPLICATIONS

Electronics:

- Track and trace PCB board manufacturing
- Electronic components (e.g. chip)
- Electronic products tracking
- DPM barcode reading (on plastic, glass, metal)

Automotive:

- DPM code validation after marking
- Work-in-progress control
- Parts and assemblies traceability

Packaging:

- Primary packaging barcode reading
- Package traceability
- Food & Beverage

Document Handling:

- High speed applications

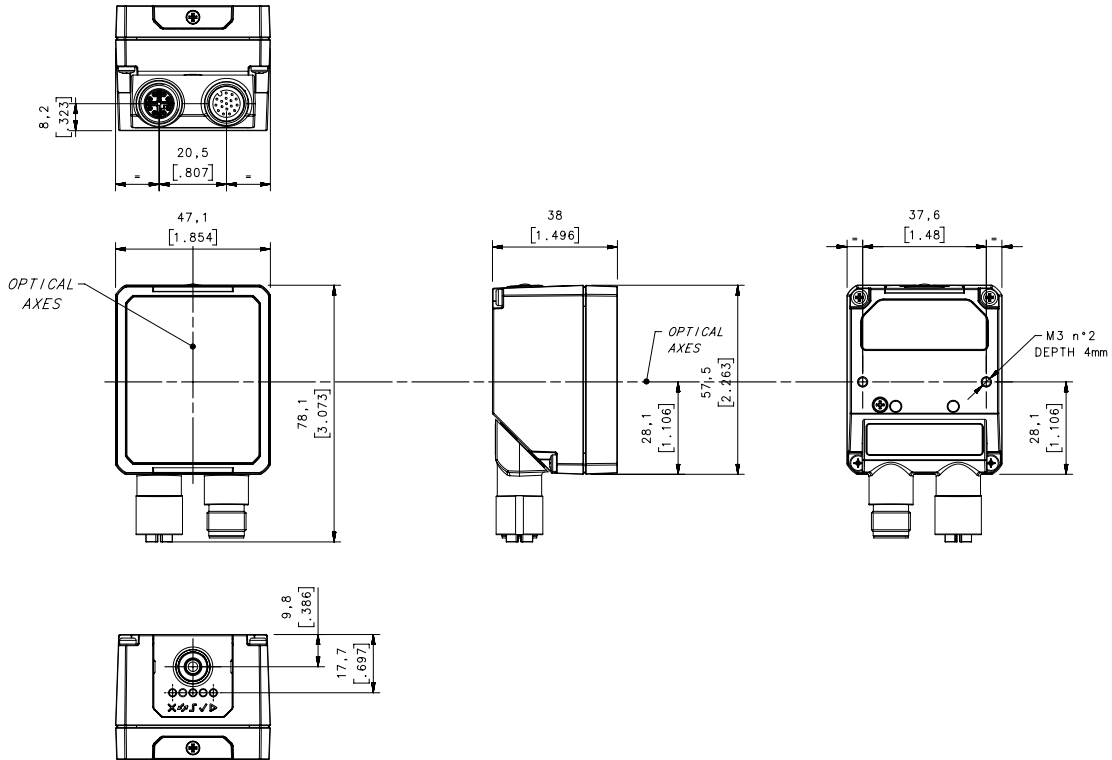
TECHNICAL DATA

	<i>Standard Model</i>	<i>Direct Part Marking Model</i>
Dimensions	78 mm x 47 mm x 38 mm / 3.07 x 1.85 x 1.50 in; Connector at 0° 57 mm x 47 mm x 58 mm / 2.63 x 1.85 x 2.30 in; Connector at 90°	
Weight	173 gr / 6.1 oz	
Case Material	Aluminium case and plastic protective window cover	
Operating Temperature	0 to 50°C / 32 to 122 °F for P/N listed with (*) in the models table -10 to 50°C / 14 to 122 ° for all the other P/N in the models table	
Storage Temperature	-20 to 70 °C / -4 to 158 °F	
Protection Class	IP65, IP67	
Sulfur Gas Resistance	Available for all the models according to ISO EN 60068-2-43	
ESD Safe	YES, available as front cover accessory	
YAG Laser Protection	YES, available as front cover accessory	
ESD Safe and YAG Laser Protection	YES, available as front cover accessory	
Flexible Cables	YES, available as accessories	
Power Supply	All models except PoE: 10 VDC to 30 VDC; PoE models: 48 VDC	
Max. Power Consumption	All models except PoE: 4.2 Watt (10 VDC to 30 VDC); PoE models: 4.8 Watt (48 VDC)	
CPU	Standard models: 2 cores @ 600 MHz Premium models: 4 cores @ 1200 MHz	
Sensor	Image resolution 1280 x 960 (1.2 megapixel) - 1/3" CMOS global shutter	
Frame Rate	45 frames/s	
Optical Focus Control	Electronic focus control	
Optical Models/Viewing Angles	7 mm (38.3°), 12 mm (24.1°)	
Reading Range	STD-W, STD-W HP and STD-UV HP: Minimum: 40 mm Maximum: 400 mm (7 mm lens), 600 mm (12 mm lens)	DPM-R and DPM-B: Minimum: 40 mm; Maximum: 300 mm DPM-R HP: Minimum: 40 mm; Maximum: 400 mm (7 mm lens), 600 mm (12 mm lens)
Illumination	White light White high power light Ultraviolet high power light	Red light with polarizer and diffuser Red high power light with polarizer Blue light with polarizer and diffuser
Aiming System	2 Red Aimer LEDs	
Polarizing Filter	NO	YES, embedded
High Dynamic Range (HDR)	Available for all models	
Readable Symbolologies	1D Codes: all standard 1D symbologies 2D Codes: Data Matrix, QR Code, Micro QR, Maxicode, Aztec, Dot Code Postal Codes: Royal Mail, Japan Post, Planet, Postnet and many more Digimarc Barcode: DWCODE™	
Code Quality Metrics	1D CQ Standard: ISO/IEC 15416 2D CQ Standard: ISO/IEC 16022/18004, ISO/IEC 29158 (AIM-DPM), ISO/IEC 15415	
Embedded Communication Interfaces	All models except PoE: - Ethernet 10/100 Mbit/s: TCP/IP, UDP, FTP and Fieldbus PROFINET IO, Ethernet IP, Modbus TCP - Serial RS-232/RS-422FD up to 115.2 Kbit/s + Serial Aux RS-232 - OPC UA PoE models: - Ethernet 10/100 Mbit/s PoE Mode A and Mode B: TCP/IP, UDP, FTP and Fieldbus PROFINET IO, Ethernet IP, Modbus TCP - Serial Aux RS-232 - OPC UA	
Reader Networking	Datalogic ID-NET™	
Connectivity Modes	Pass Through, Master/Slave, Ethernet point-to-point	
Digital Inputs	All models except PoE: 2 inputs opto-coupled and polarity insensitive PoE models: 1 input opto-coupled and polarity insensitive	
Digital Outputs	3 Outputs (not available on PoE models): Configurable NPN, PNP, PP short-circuit protected Using CBX the first 2 outputs are opto-coupled	
User Interface	X-PRESS™ Human Machine Interface Beeper, Push Button, 7 LEDs (Status, Communication, Trigger, Good-Read, Ready, Power on, Network) Green Spot and Red Spot LEDs Web Monitoring Interface	
Device Programming	DL.CODE™ Windows-based software (programming via Ethernet or Serial Interface) with Javascript output formatter Host Mode programming X-PRESS™	
Warranty	2-Year Factory Warranty	

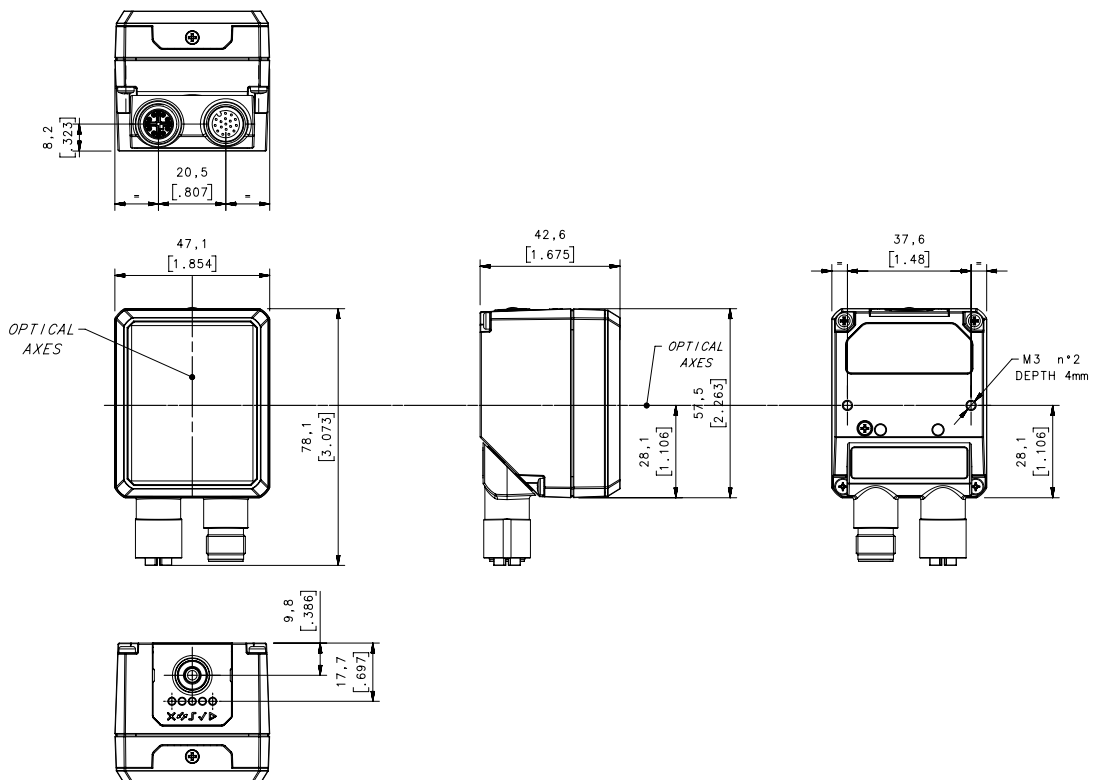
DIMENSIONS

Dimensions in mm

MATRIX 220 - STRAIGHT CONNECTORS



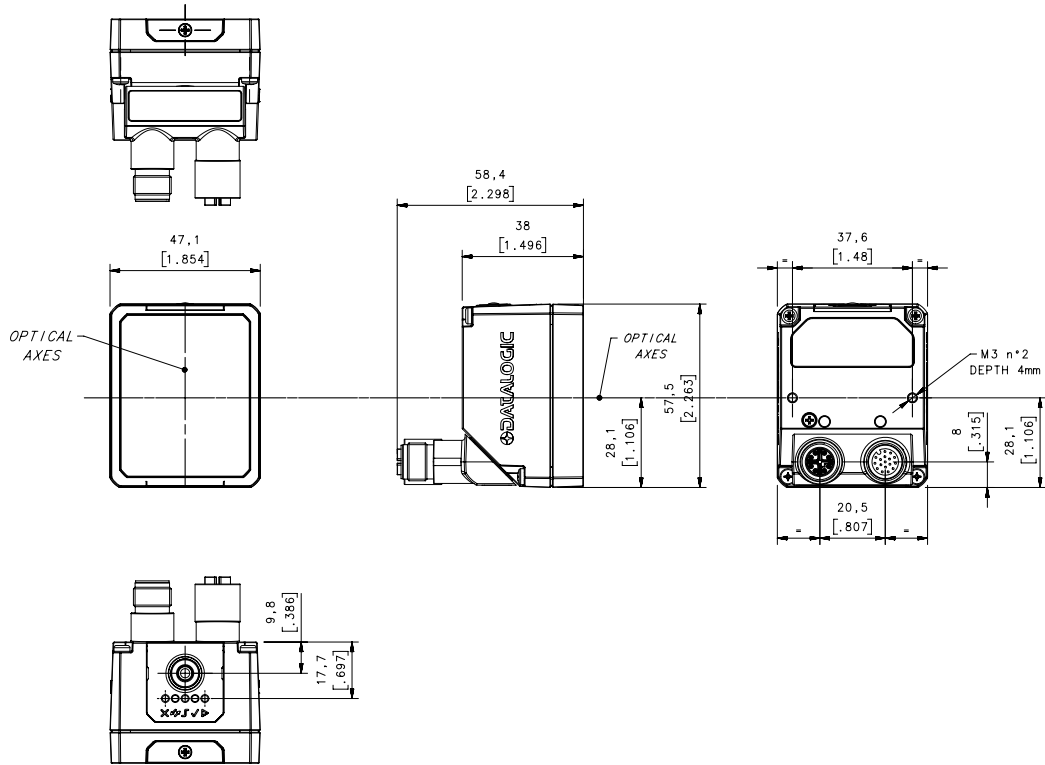
MATRIX 220 - STRAIGHT CONNECTORS & ESD/YAG COVER



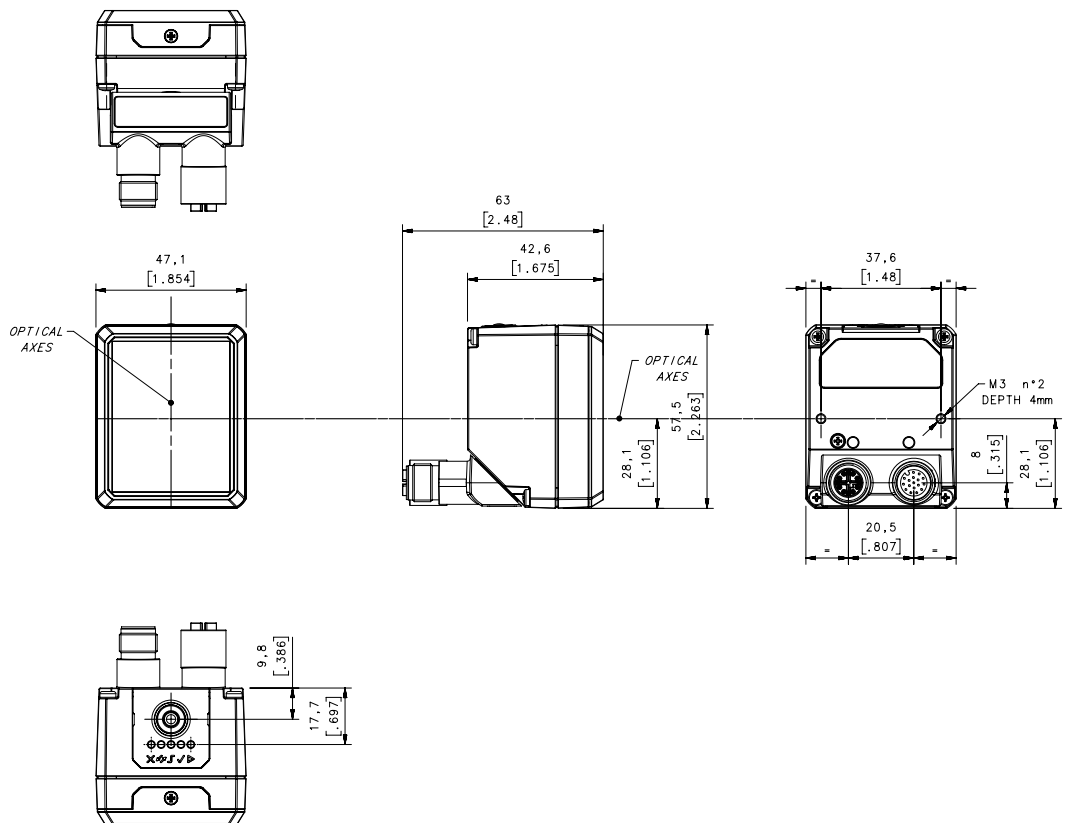
DIMENSIONS

Dimensions in mm

MATRIX 220 - 90° CONNECTORS



MATRIX 220 - 90° CONNECTORS & ESD/YAG COVER



MODELS

P/N	DESCRIPTION	PREMIUM	OPTICAL MODELS		ILLUMINATORS						CONNECTORS		
			7 mm	12 mm	STD-WHITE	DPM-RED	DPM-BLUE	STD-WHITE-HP	STD-RED-HP	DPM-UV-HP	STD-RED-HP	M12 17P + ETH	M12 5P + ETH POE
937900000	MATRIX 220 352-010 1.2MP STD-W 7MM												
937900034(*)	MATRIX 220 352-010 1.2MP STD-W 7MM X		X		X							X	
937900060(*)	MATRIX 220 352-010 1.2MP STD-W 7MM XP	X											
937900001	MATRIX 220 355-010 1.2MP STD-W 12MM												
937900035(*)	MATRIX 220 355-010 1.2MP STD-W 12MM X			X	X							X	
937900059(*)	MATRIX 220 355-010 1.2MP STD-W 12MM XP	X											
937900002	MATRIX 220 352-040 1.2MP STD-W 7MM POE		X		X								X
937900003	MATRIX 220 355-040 1.2MP STD-W 12MM POE			X	X								X
937900004	MATRIX 220 382-010 1.2MP DPM-R 7MM		X				X					X	
937900036(*)	MATRIX 220 382-010 1.2MP DPM-R 7MM X												
937900058(*)	MATRIX 220 382-010 1.2MP DPM-R 7MM XP	X											
937900005	MATRIX 220 385-010 1.2MP DPM-R 12MM												
937900037(*)	MATRIX 220 385-010 1.2MP DPM-R 12MM X			X			X					X	
937900057(*)	MATRIX 220 385-010 1.2MP DPM-R 12MM XP	X											
937900006	MATRIX 220 382-040 1.2MP DPM-R 7MM POE		X				X						X
937900007	MATRIX 220 385-040 1.2MP DPM-R 12MM POE			X			X						X
937900008	MATRIX 220 345-010 1.2MP STD-W 12MM HP			X					X			X	
937900038(*)	MATRIX 220 345-010 1.2MP STD-W 12MM HP X												
937900009	MATRIX 220 305-010 1.2MP DPM-R 12MM HP			X						X		X	
937900039(*)	MATRIX 220 305-010 1.2MP DPM-R 12MM HP X												
937900010	MATRIX 220 302-010 1.2MP DPM-R 7MM HP									X		X	
937900040(*)	MATRIX 220 302-010 1.2MP DPM-R 7MM HP X	X											
937900011	MATRIX 220 392-010 1.2MP DPM-B 7MM		X					X				X	
937900041(*)	MATRIX 220 392-010 1.2MP DPM-B 7MM X												
937900012	MATRIX 220 395-010 1.2MP DPM-B 12MM			X				X				X	
937900042(*)	MATRIX 220 395-010 1.2MP DPM-B 12MM X												
937900013	MATRIX 220 392-040 1.2MP DPM-B 7MM POE		X					X					X
937900014	MATRIX 220 395-040 1.2MP DPM-B 12MM POE			X				X					X
937900017	MATRIX 220 322-01A 1.2MP STD-R 7MM HP		X							X		X	
937900018	MATRIX 220 325-01A 1.2MP STD-R 12MM HP			X						X		X	
937900023	MATRIX 220 3U2-01U 1.2MP ST-UV 7MM HP		X								X	X	

(*) Please see the Operating Temperature Technical Data

Matrix 220 3 X X - 0 X X

Internal Illuminators

- 0 = Red Multi-Light DPM High Power ⁽¹⁾
- 2 = Red Standard High Power
- 4 = White Standard High Power
- 5 = White Standard
- 8 = Red Multi-Light DPM ⁽²⁾
- 9 = Blue Multi-Light DPM ⁽²⁾
- U = Ultraviolet Standard High Power

Options

- A = Digimarc (DWCODE™)
- 0 = Standard
- U = Receiving anti-UV filter

Input Power

- 1 = Standard 10-30 VDC
- 4 = PoE 48 VDC

Decoding

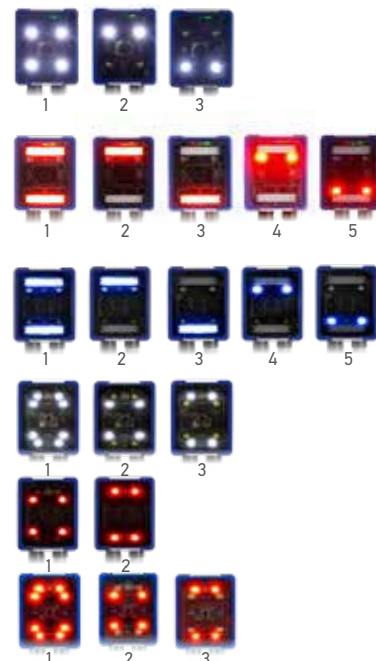
- 0 = 1D + 2D

Sensor
3: 1.2MP

Optics
2: 7mm electronic focus control
5: 12mm electronic focus control

⁽¹⁾ with embedded Polarizer
⁽²⁾ with embedded Polarizer and Diffuser

CONFIGURATION	LEDs ON	LEDs COLOR
Model: Standard		
1	4 (Top + Bottom)	White
2	2 (Top)	White
3	2 (Bottom)	White
DPM (Red Light)		
1	12 Diffused (Top + Bottom)	Red
2	6 Diffused (Top)	Red
3	6 Diffused (Bottom)	Red
4	2 Non Polarized	Red
5	2 Polarized	Red
DPM (Blue Light)		
1	12 Diffused (Top + Bottom)	Blue
2	6 Diffused (Top)	Blue
3	6 Diffused (Bottom)	Blue
4	2 Non Polarized	Blue
5	2 Polarized	Blue
Model: Standard (High Power)		
1	8 (Central Chain + Top/Bottom Chain)	White/UV
2	4 (Central Chain)	White/UV
3	4 (Top/Bottom Chain)	White/UV
Model: DPM (High Power)		
1	4 Polarized	Red
2	4 Non Polarized	Red
Model: Digimarc		
1	8 (Central Chain + Top/Bottom Chain)	Red
2	4 (Central Chain)	Red
3	4 (Top/Bottom Chain)	Red



ACCESSORIES

CATEGORY	PART NUMBER	DESCRIPTION
Cables	93A050058	M12-IP67 Cable To CBX or QL (1M)
	93A050059	M12-IP67 Cable To CBX or QL (3M)
	93A050060	M12-IP67 Cable To CBX or QL (5M)
	93A050116	M12-IP67 17p Flexible Cable To CBX or QL (1M)*
	93A050117	M12-IP67 17p Flexible Cable To CBX or QL (3M)*
	93A050118	M12-IP67 17p Flexible Cable To CBX or QL (5M)*
	93A050122	M12-IP67 GIGA Ethernet Cable X-Coded (1M)
	93A050123	M12-IP67 GIGA Ethernet Cable X-Coded (3M)
	93A050124	M12-IP67 GIGA Ethernet Cable X-Coded (5M)
	93A050125	M12-IP67 GIGA Ethernet Flexible Cable X-Coded (1M)*
	93A050126	M12-IP67 GIGA Ethernet Flexible Cable X-Coded (3M)*
	93A050127	M12-IP67 GIGA Ethernet Flexible Cable X-Coded (5M)*
	93A050128	Adapter Cable GIGA Ethernet X-Coded M12 to RJ45
	93A050129	Adapter Cable GIGA Ethernet X-Coded to Ethernet D-Coded
	93A050076	CAB-GD03 M12 F/L 3M
93A050077	CAB-GD05 M12 F/L 5M	
93A050078	CAB-GD10 M12 F/L 10M	
Front Covers	93ACC0227	ESD Safe Window Cover M220
	93ACC0228	YAG Cut Filter Window Cover M220
	93ACC0229	ESD Safe YAG Cut Filter Win Cover M220
Bracket	93ACC0230	BK-22-000 Fixing Bracket M220 Body

* Suitable for robotic arm applications

